

INSTRUCTION MANUAL

Polanik Professional competition pole vault stand with electronic readout STT15-65



File: 2021-07-06
PRODUCT SUPPORT
Pawel Ciechanowski
p.ciechanowski@polanik.com



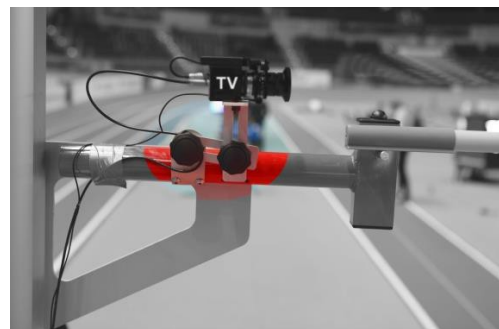
Thank you for choosing Polanik Professional competition pole vault stand STT15-65.



Safe assembly and use

- Before you start to assemble and use the stand please read this manual carefully.
- Do not install or use the stands without a landing area.
- The stand bases must be anchored to the ground.
- During longer idle periods and after the athletics season the stands are to be obligatory stored in a dry roofed room.
- The stands come with the electronic counters which are programmed and calibrated at our factory. The counter is always on. The battery life is min. 5 years. The keypad is blocked to protect factory settings against any accidental alternation. If the settings of the counter are erased please contact us before using the stands.
- The sports equipment produced by Polanik is designed for athletics training and use in sports competitions only. Please pay special attention especially when using throwing implements and other throwing equipment, misuse of athletics equipment and implements can cause serious injury or in extreme cases even death. That is why training and use during sports events have to be always supervised by authorized sports personnel. In no event shall Polanik be liable for any special, incidental, indirect or consequential damages in connection with the purchase or use of POLANIK products or costs over the original cost of the product.
- Unauthorized copying of this manual, in whole or in part, is prohibited.
- The contents of this manual are subject to change without notice.
- The producer reserves the right to introduce without warning changes in product constructions and colours.

Special adjustable bracket for installing TV camera* or sports camera* in the set!



*not included

Contents


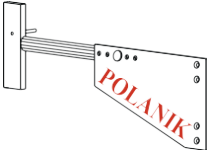
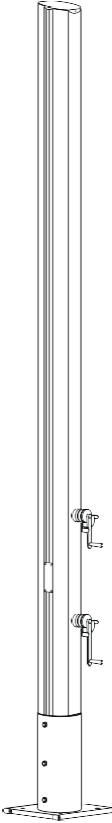

Chapters		Page
I.	Characteristics of the pole vault stand STT15-65	3
II.	Parts list (sets)	4
III.	General assembly description	5
IV.	Assembly	6
V.	Operation	9
VI.	Remarks on maintenance and operating the stands	11
VII.	Technical drawings	12
	Draw. no. 1 - Positioning the stands and the landing area at the pole vault box	12
	Draw. no. 2 - Assembled stands (left and right)	13
	Draw. no. 3 - STT15-65 – dimensions	14
VIII.	Product Images	15
IX.	IAAF Certificate	18

I. Characteristics of the pole vault stand STT15-65

The key features of the stand are as follows:

1. Innovative construction:
 - Implementation of electronic height indicator begins a new era of constructing PV standards, original Polanik solution has removed a traditional measuring tape, hermetic indicator casing with stainless steel hub installed on crank, resistant to high temperature and humidity, resistant to UV radiation and chemical agents, equipped with brake, battery life min. 5 years.
 - Inventive and patented lifting mechanisms of crossbar support and sliding mechanism of the post.
 - Stand posts are made of specially designed anodised aluminium profiles.
2. High durability:
 - All stand parts are manufactured from long-lasting materials like aluminium, galvanized steel and plastic, and stand base casings are galvanized and additionally powder painted.
 - Eight ball bearings guarantee smooth work of crossbar support and height adjustment mechanism.
3. High quality:
 - STT15-65 complies with the international quality standards what is confirmed by the certificate of the International Association of the Athletics Federations (IAAF).
4. Easy operating:
 - Stands can be assembled and disassembled quickly, assembly (or disassembly) takes approximately 40 minutes done by 3 people.
 - Crossbar lifting mechanism and post sliding mechanism work very quietly and smoothly.
 - Height adjustment crank is equipped with brake securing crossbar support against uncontrolled movements.
 - Base wheels help significantly to move stands to desired positions.
 - Crossbar support length can be adjusted within the range of 15 cm.

II. Parts list (sets)

Item	Part/set description	Q-ty Pcs.	Draw. no.	Part/set sketch
1	Base + screw M 20x40 (8 pcs) + washer 20 (8 pcs)	2	1, 2	
2	Crossbar support	2	1, 2	
3	Post + countersunk hex key screw M 10x40 (8 pcs)	2	1, 2	
4	Bracket for installing TV camera or sports camera on crossbar support arm	1		

III. General assembly description

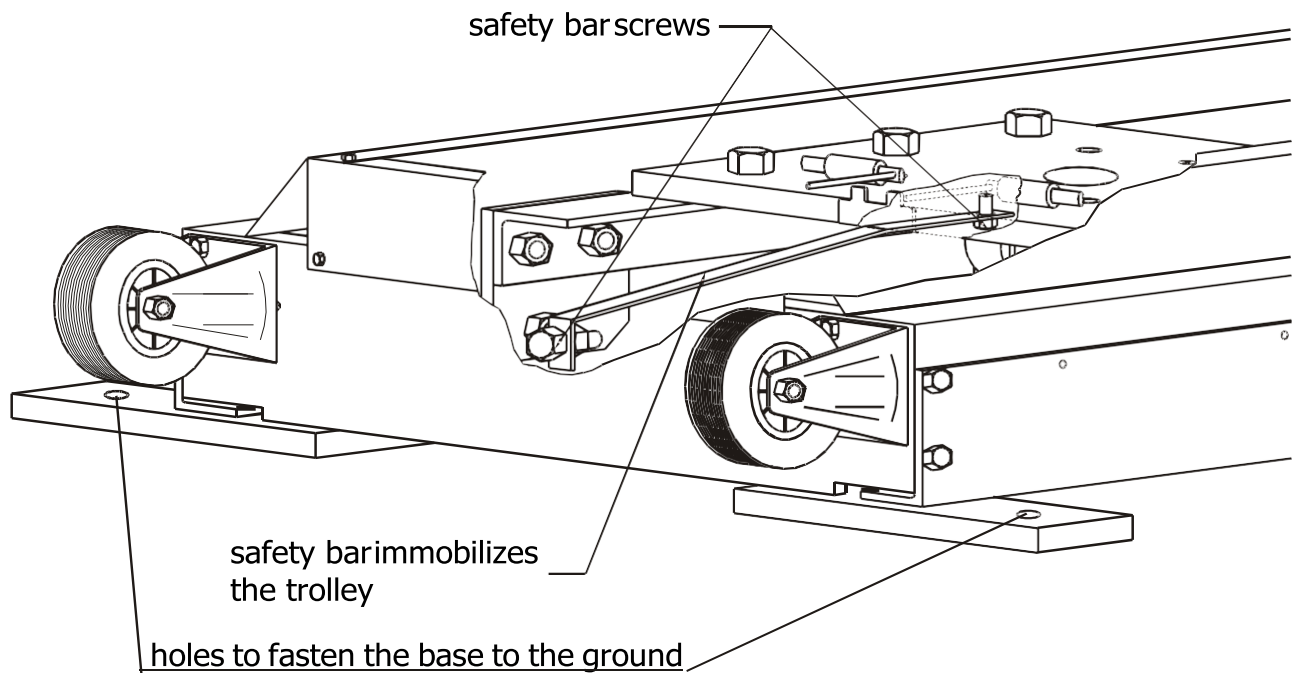
STT15-65 is delivered in three partially assembled units. The set contains two bases (item 1, draw. no. 1 and 2), two posts (item 3, draw. no. 1 and 2) and two crossbar supports (item 2, draw. no. 1 and 2) – left and right.

You should gather the following tools before you start to assemble the stands:

- metric hex key no. 6 and 8
- metric flat wrench no. 13
- metric flat wrench no. 19
- metric flat wrench no. 30

We recommend that the assembly process would take place at the target location because it is easier to move separate stand parts than the whole structure.

The trolleys in the bases are secured from uncontrolled movements by means of special safety bars while the set is transported. The safety bar should remain fastened until the post is screwed down to the trolley of the base. After that stage has been completed you have to remove the safety bar because one of the cog belt ends is to be mounted there.

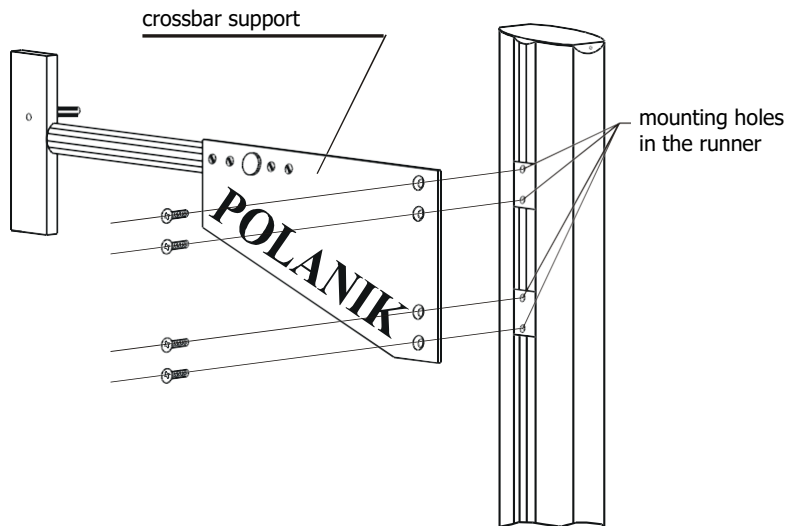


IV. Assembly

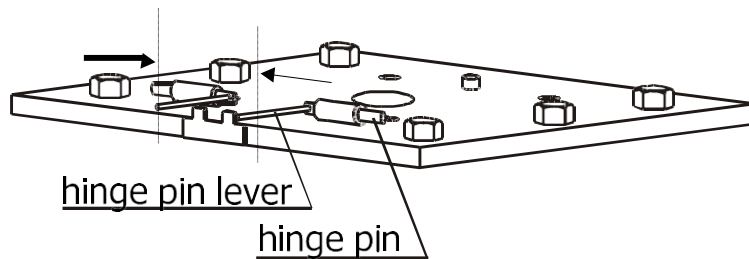


WARNING: failure to follow the sequence of these assembly operations could result in serious accident or damages to the construction.

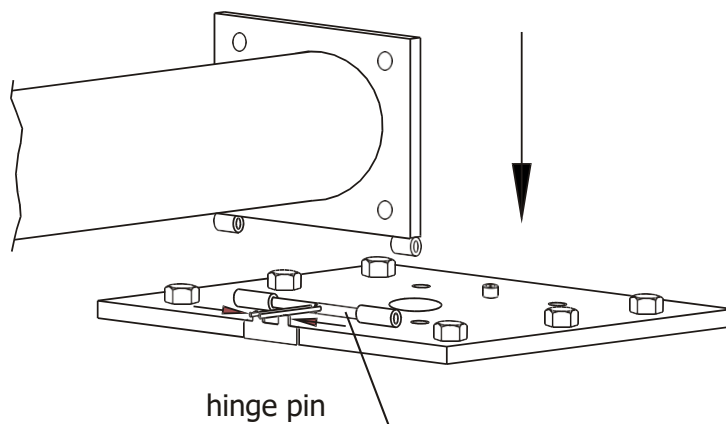
Place one base on the left side and the other base on the right side of the landing area according to the IAAF rules. The position marked "0" on the bases should be lined up with the shortest edge of the pole vault box – see draw. no. 1 on page 12.



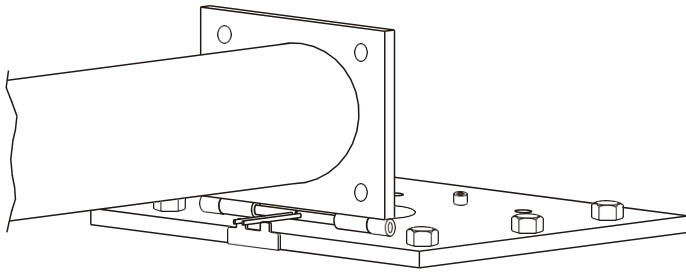
Next screw down crossbar supports to the posts while they are resting on the ground. Use 4 countersunk screws for each support. The screws are temporarily mounted in the runners of the posts.



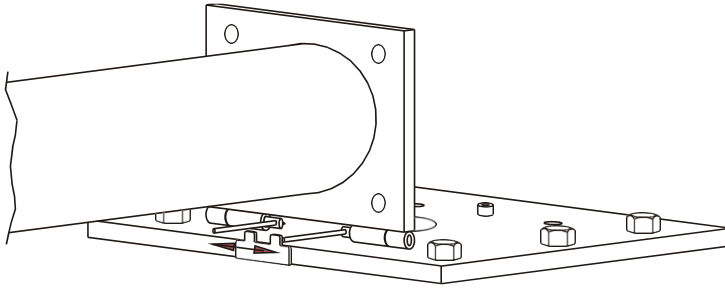
After that the post is ready to be installed on the base trolley. Unscrew screws M20x40 (4 pcs) and remove washers 20 (4 pcs). Press hinge pin levers according to the arrows.



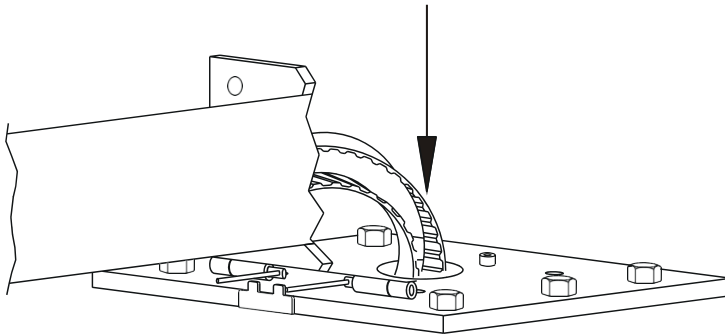
Position stand post foot over the hinge.



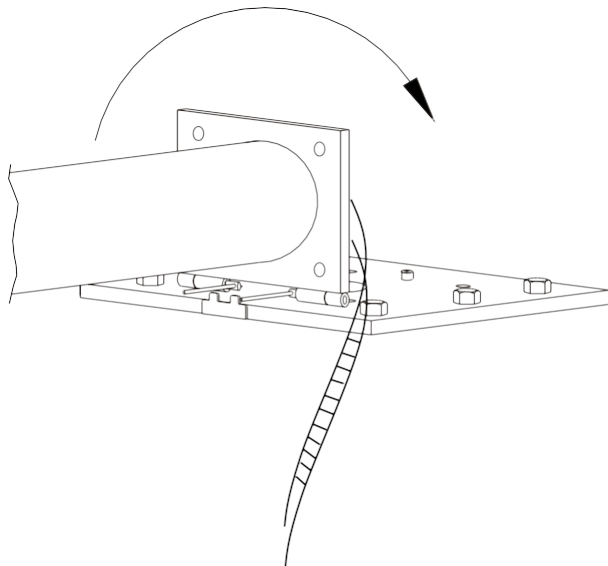
Put stand post foot into the hinge.



Release hinge pin levers, which spring back automatically to their working positions and connect post foot with base trolley. That pivotal joint is used to put posts in the upright position.

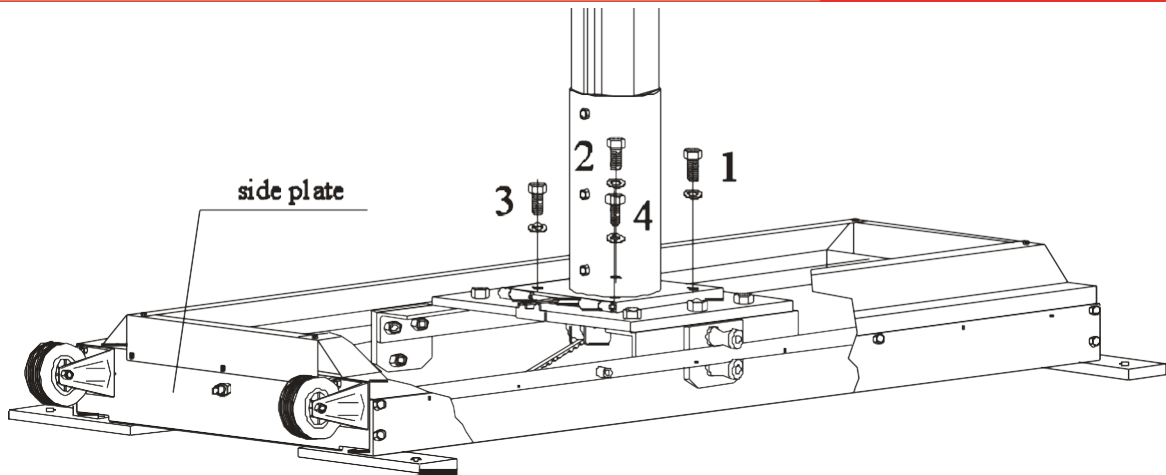


Pull out the cog belt ends from post profile and thread them through the hole in base trolley

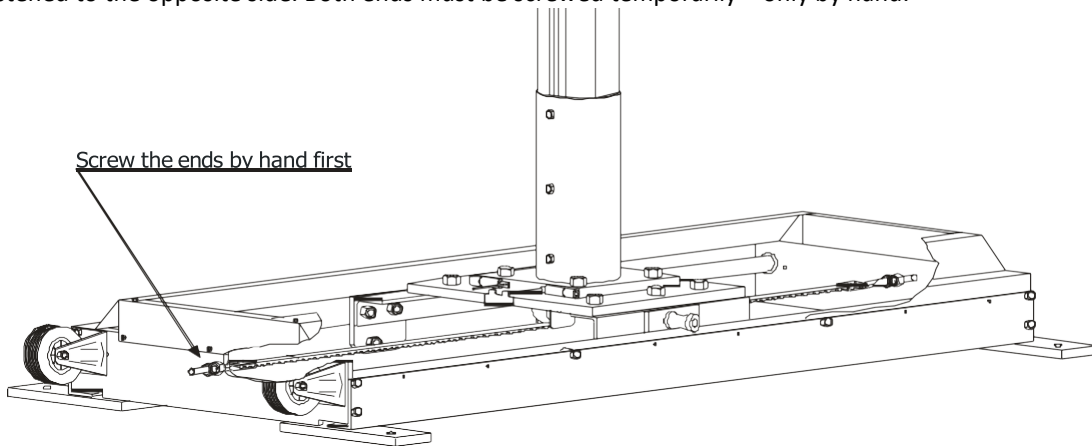


While holding the cog belt ends under the trolley plate, lift post to the upright position.

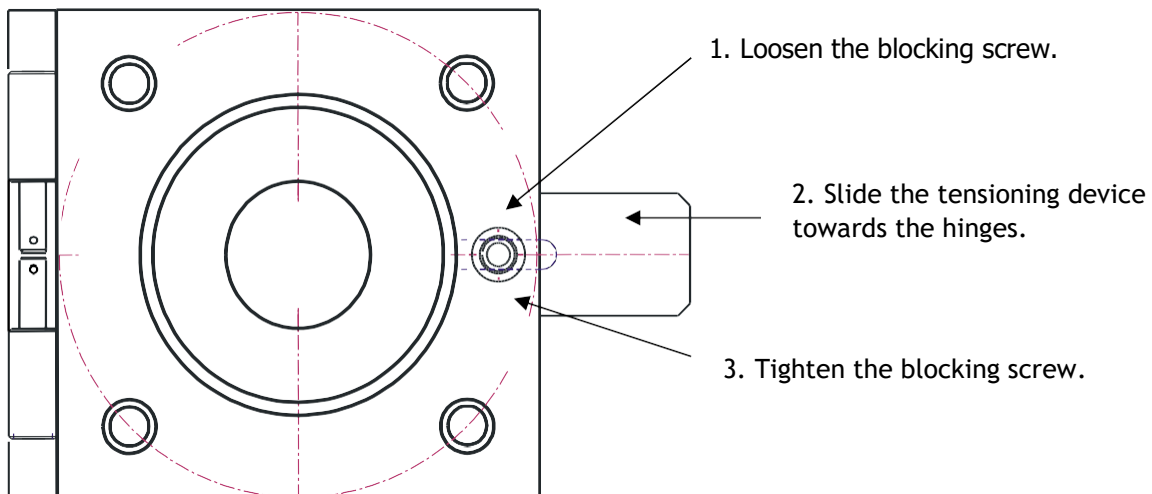
Next, whilst one person is holding post, the other person is screwing post to trolley plate with screws M20x40 (4 pcs) and washers 20 (4 pcs).



Screw down the screws which are opposite the trolley hinge first. Next remove safety. **Safety bar should be kept for further use – it makes the disassembly process and transport of STT15-65F easy and safe.** Now install the cog belt ends. One end should be screwed to the base side plate where safety bar has been mounted and the other one ought to be fastened to the opposite side. Both ends must be screwed temporarily – only by hand.



Make preliminary tensioning with tensioning device (see image below). Base trolley – top view

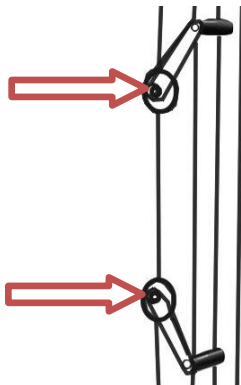


Now tighten the nuts (you have screwed temporarily in base side plates) with wrench. Correctly tensed cog belt should deflect no more than 2 cm approx. when pressed with index finger. Cog belt tensioning should be done scrupulously. If cog belt is too loose, it may slip on toothed wheels in post sliding mechanism. On the other hand, when cog belt is too tense, it may cause too high resistance and load of sliding mechanism.

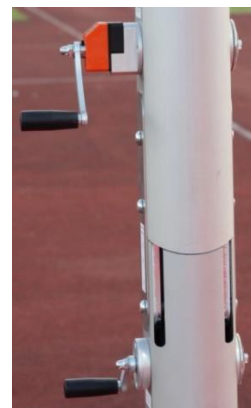
Please note that the cranks of the mechanisms are specially secured for transport. They need to be fastened in the opposite way before use.



Unscrew the nuts and take off the cranks.



Then reinstall them with their handles outside as shown.



After assembly and positioning the stands their bases must be fastened to the ground using the mounting holes of the flat bars of the bases (shown on page 6).



The omission of that operation may cause stands overturn and result in serious accident or damages.

It is recommended that the bases are fastened to the ground with hex nut head steel sleeve anchors dia. 16 mm and length 140 mm (holes must be of dia. 16 mm and 130 – 150 mm deep). The concrete base is to be dry and non-cracked. For the installation of the anchors please see their producer's instruction.



V. Operation



Attention!

The stands come with the electronic counters which are programmed and calibrated at our factory. The counter is always on. The battery life is min. 5 years. The keypad is blocked to protect factory settings against any accidental alternation. If the settings of the counter are erased please contact us before using the stands.

Adjusting the height

1. Turn the brake handle counter clockwise to release the brake.
2. Turn the crank clockwise or counter clockwise until a desired height is visible on the electronic counter.
3. Turn the brake handle clockwise to block the brake until you feel resistance, do not use excessive force.



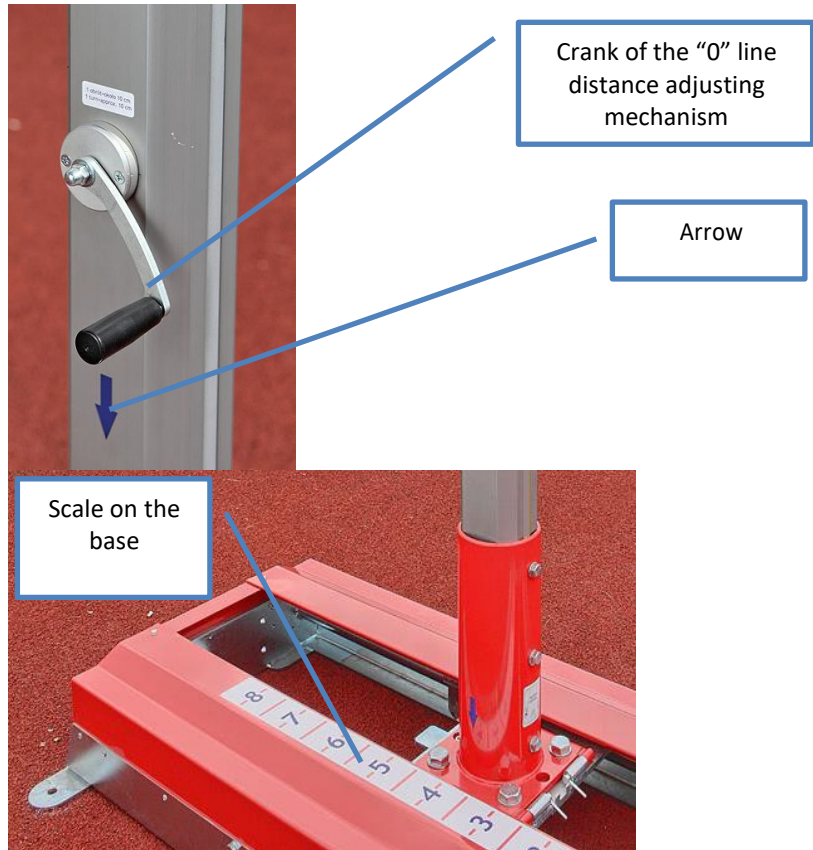
Electronic counter displays actual height in [cm] at which the upper edge of the crossbar is positioned.

Brake handle

Crank of height adjustment

Adjusting the distance from "0" line

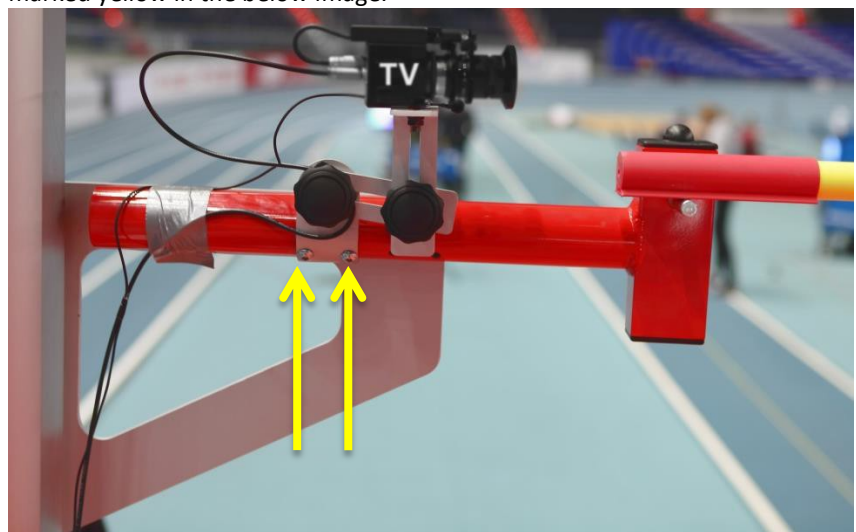
Turn the crank clockwise or counter clockwise until the blue arrow points a desired distance from "0" line on the scale installed on the stand base.



Bracket for installing TV camera

If a TV camera or a sports camera (cameras are not included in the set) is to be installed on the stands for broadcast of pole vault competition, the special bracket which is included in the set (item 4) should be mounted on right or left stand.

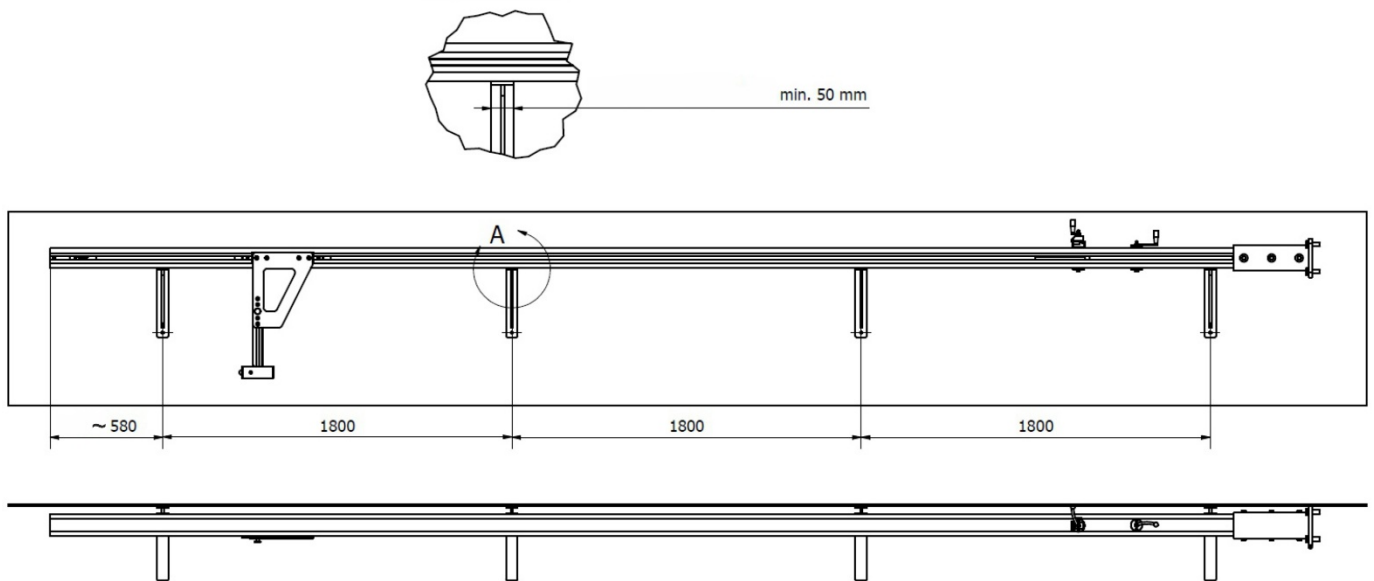
The bracket is installed on the crossbar support arm with two screws (included) marked yellow in the below image.



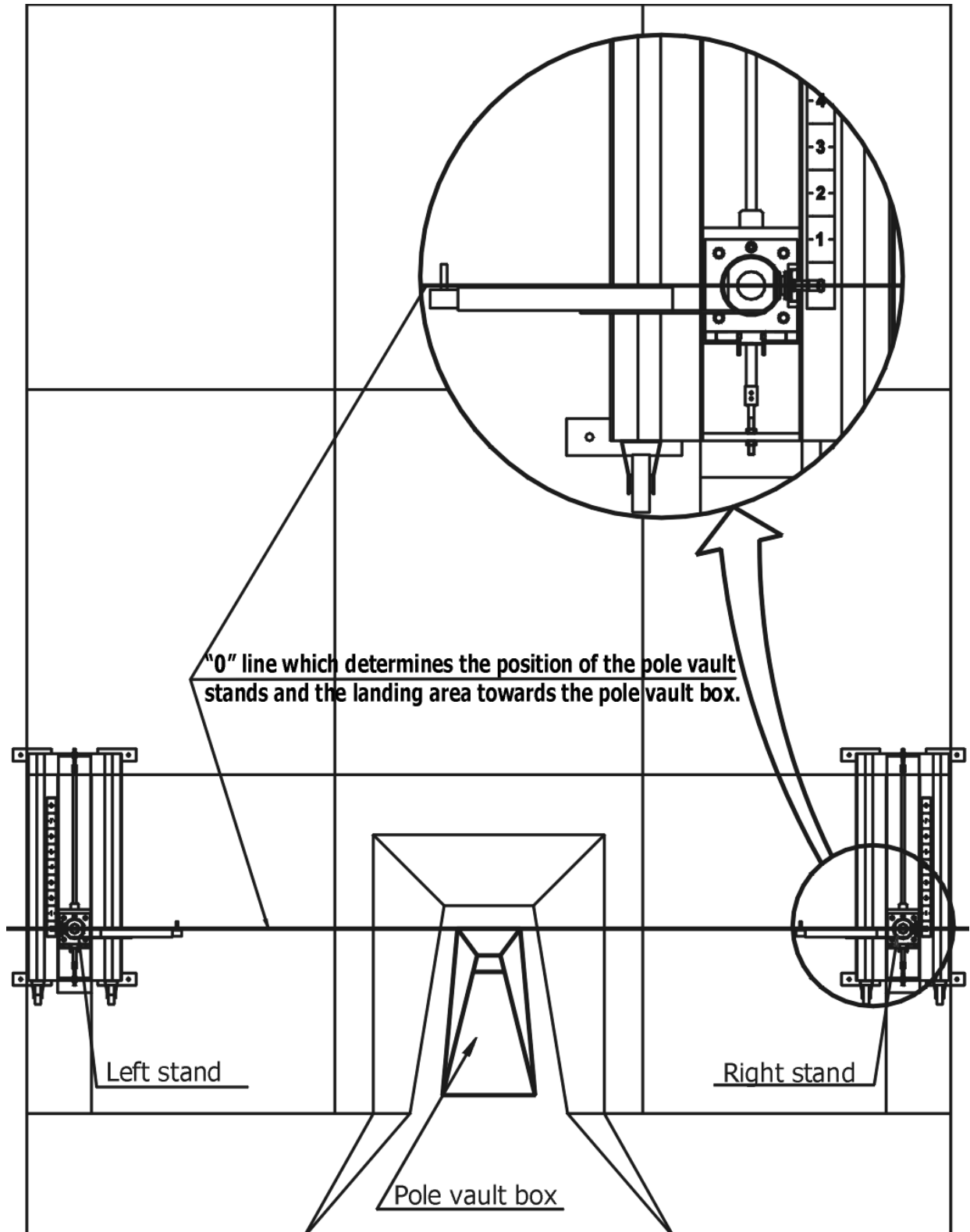
VI. Remarks on maintenance and operating the stands

As the producer we have done our best to make pole vault stands guarantee maximum safety level, be easily operated and reliable in use. However the stands like any other pieces of sports equipment requires periodical inspections and must be used according to the instruction manual, the IAAF rules and operated by authorized personnel. While operating the stands the following rules must be observed:

- The base wheels should be only used to transport the stands on level surfaces and within short distances. For long distances you must unscrew the posts from the bases and secure the base trolleys with the safety bars (see page 5).
- While changing the height of the crossbar support or adjusting the distance of the post to "0" line by means of the crank mechanisms make sure to slow down before reaching extreme positions. That allows you to avoid "banging" which may result in excessive load of the mechanisms.
- During longer idle periods and after the athletics season the stands are to be obligatory stored in a dry roofed room. Recommended spacing and width of supports hung on the wall designed to store poles horizontally is shown in the picture below. **Warning! Poles can be stored on supports can be placed only without bases.**
- After the athletics season adjust the tension of the cog belt in the stand bases if necessary (see page 8).

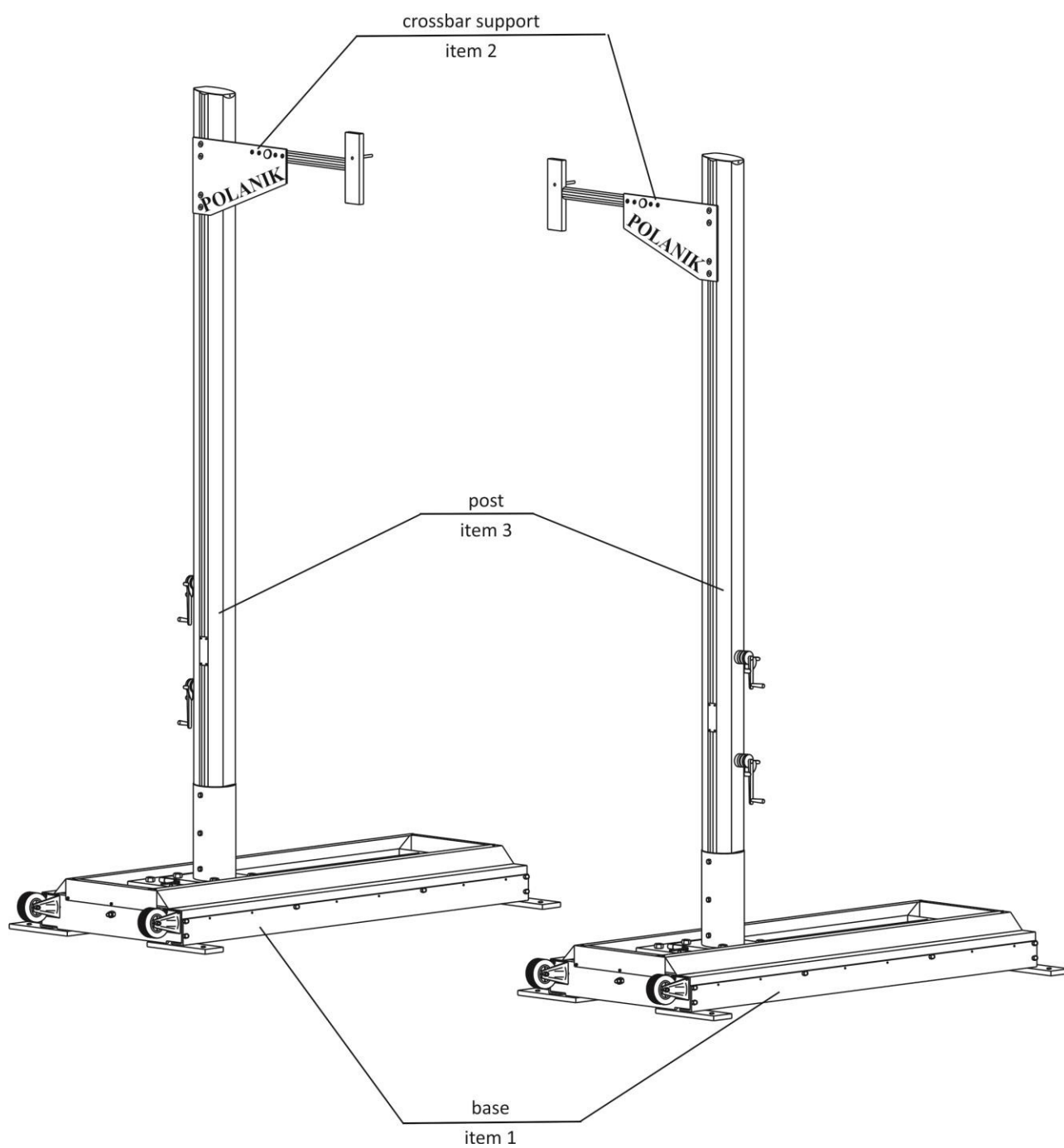


VII. Technical drawings

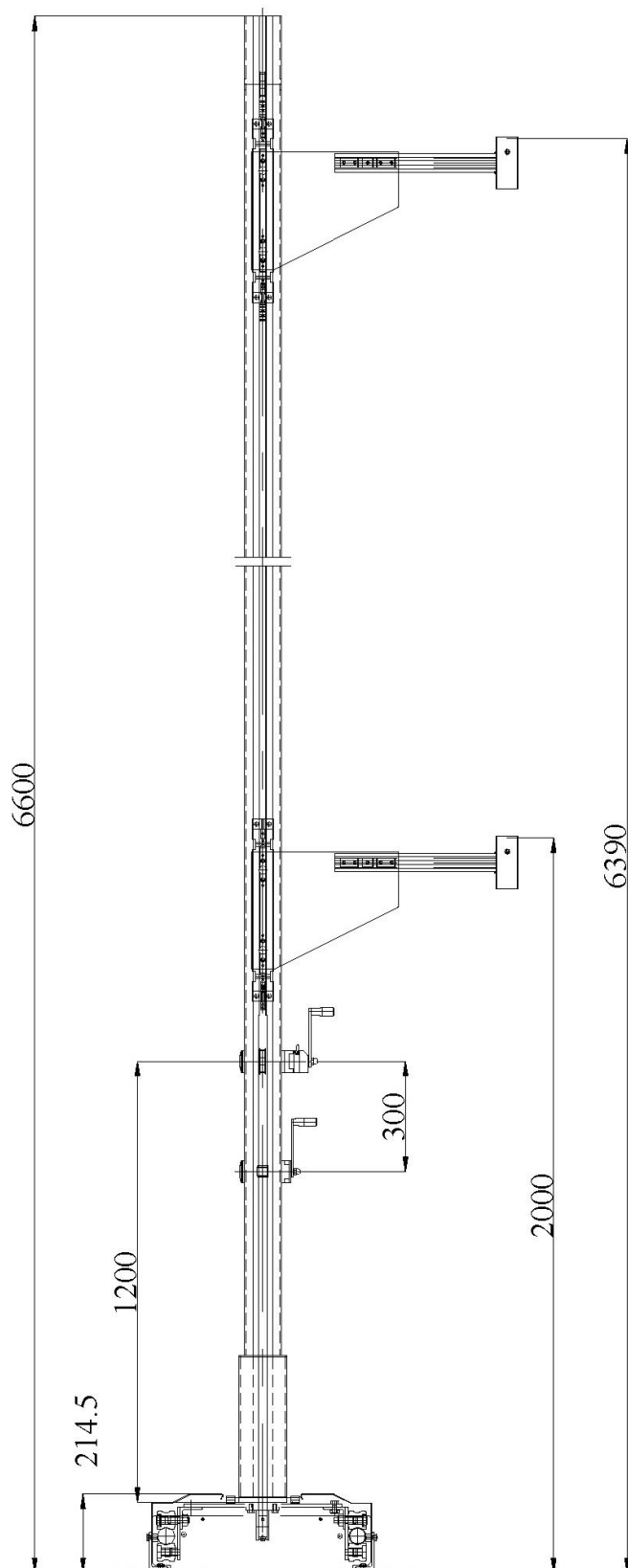


Drawing no. 1

Positioning the stands and the landing area towards the pole vault box



Drawing no. 2
Assembled stands (left and right)



Drawing no. 3

STT15-65 – dimensions [mm]

VIII. Product images







IX. IAAF Certificate

International Association of Athletics Federations



Product Certificate

*The IAAF is pleased to certify hereby
that the following product:*

Product's Trade Name: Uprights, Pole Vault, Professional Competition

Description, Colour / Absolute Thickness: Aluminium, mechanical with electronic readout, Silver/red

Company Name, Country: Polanik Sp. z o. o. - Sp. K., POL

Catalogue Number: STT15-65

IAAF Certification Number: E-15-0842

meets the dimensional requirements for use in all international athletics competitions.

It is for the purchaser to determine the item's fitness for the purpose based on his knowledge of the local conditions and use.

Valid from: 1 October 2019

Until the last day of: October 2023

This certificate is issued in accordance with the terms and conditions of the IAAF Certification System of track and field facilities, implements and competition equipment.



JORGE SALCEDO
IAAF Technical Committee Chairman

