

POLANIK
Poland, Życzliwa 11
97-300 Piotrków Trybunalski

tel. +48 44 646 44 81
tel. +48 44 648 50 89
fax +48 44 646 43 58

e-mail: info@polanik.com
www.polanik.com



TECHNICAL SPECIFICATION **INSTALLATION MANUAL**

Pole vault competition box

PVBOX-S



File: 2014-04-07

PRODUCT SUPPORT
Paweł Ciechanowski
p.ciechanowski@polanik.com

Contents

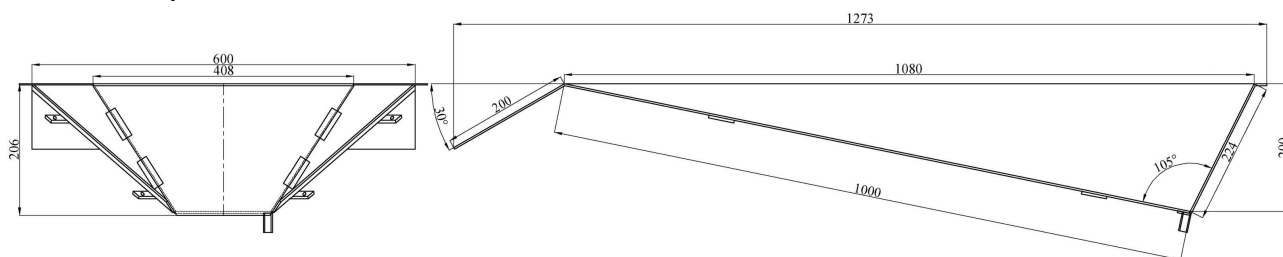
Chapter	Page
I. General description and use	2
II. Technical specification	2
III. Installation	3
IV. Operation and maintenance	4
V. Product images	4
VI. IAAF Certificate	5

I. General description and use

PVBOX-S is a competition take-off box. It is designed for embedding into the athletics runway of the Pole Vault facility. The product main features are:

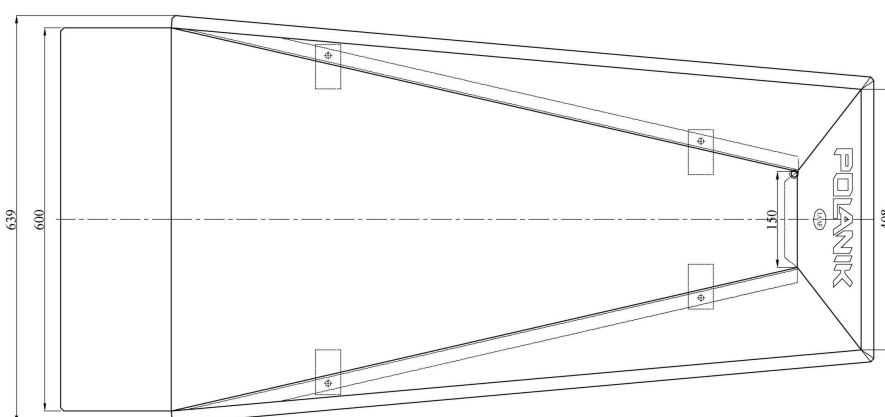
- high durability and manufacturing quality – made of stainless steel,
- universality – can be mounted outdoor and in halls,
- maintenance free – does not require any special maintenance proceedings.

II. Technical specification



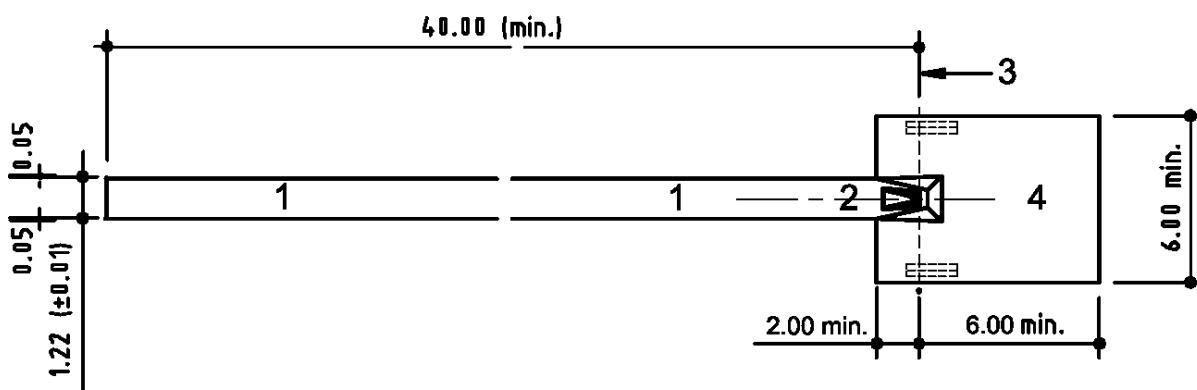
Code	PVBOX-S
Type	competition, certified
Material	stainless steel
Drainage	drainage pipe and elastic hose included
Net weight [kg]	20

Package's dimensions [m]	contents	1 pc
	length L	1,30
	width B	0,64
	height H	0,25
Volume [m³]	0,21	
Gross weight [kg]	21	



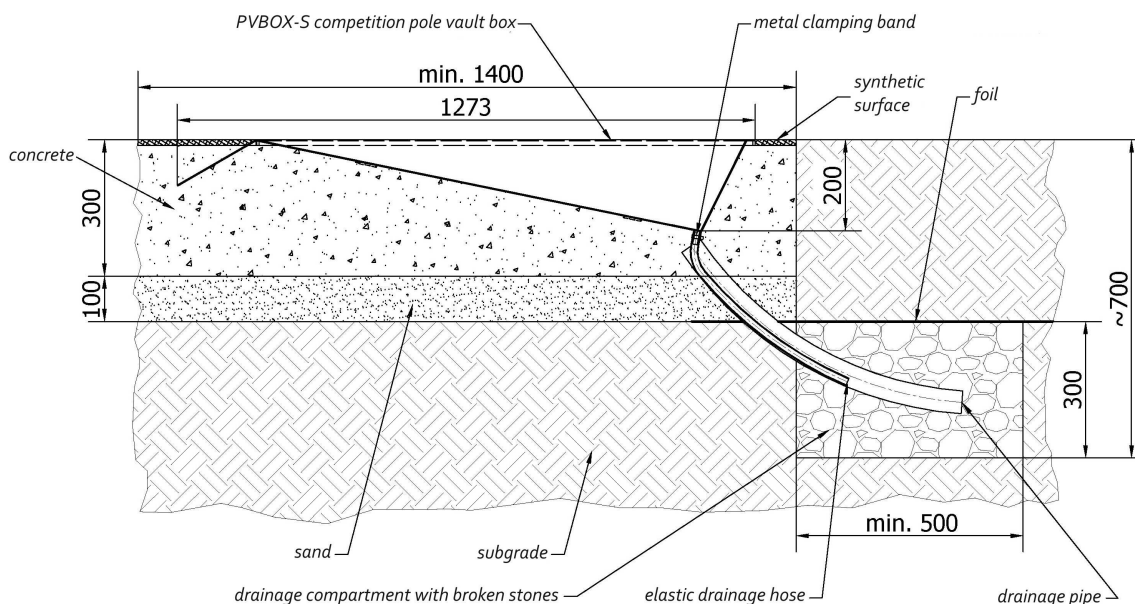
III. Installation

PVBOX-S is ready for embedding after delivery. It comes with drainage elements: a drainage pipe and a flexible hose with a metal clamping band. The band secures the hose on the drainage outlet of the box. According to the rules of the International Association of Athletics Federations (IAAF) the box (2) should be mounted in the distance of 40 metres measured from the beginning of the runway (1) to the 0-line (3) – see the drawing below.



Pole Vault runway, dimensions in [m]

While embedding please make sure that the top surface of the box edges is on the same level as the synthetic surface of the runway (see the drawing below). The flexible hose can be connected to a drainage system. If there is not one in the facility, we recommend that a special drainage compartment should be made. The included drainage pipe ought to be laid down in the compartment, which is filled with broken stones in order to ensure a better water outflow to the ground. The top side of the compartment ought to be separated from the ground with foil. Please make sure that the drainage hose is not bent or pressed during embedding.



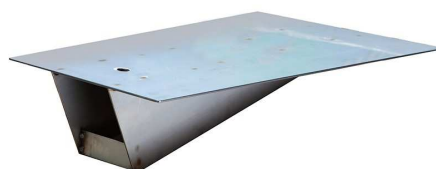
PVBOX-S installed in the runway, dimensions in [mm]

IV. Operation and maintenance

The box that is installed outdoor is subject to unfavourable weather conditions. Therefore to protect it against dirt Polanik pole vault box cover (product code **PVCOVER-S**, see image below) or Polanik pole vault box lid flush mount (product code **PVLID-S**, see image below) must be used during idle periods.



PVBOX-S



PVLID-S

The inside of the box can be cleaned with commonly available detergents. The product does not require any additional maintenance proceedings. Even the best technical solutions cannot substitute for common sense. The usage of the product must take place under the supervision of qualified coaches. The producer shall not be liable for any incidents caused by the improper installation or its misuse.

V. Product images



PVBOX-S © 2014 Polanik Sp. z o. o.

The producer reserves the right to introduce without warning changes in product constructions and colours.

VI. IAAF Certificate

No. E-05-0418

International Association of Athletics Federations



Product Certificate

The IAAF is pleased to certify hereby that the following product:

Product's Trade Name:	Fixed equipment, Pole Vault box
Description, Colour / Absolute Thickness:	Stainless steel, Metal
Company Name, Country:	Polanik Sp. z o. o. - Sp. K., POL
Catalogue Number:	PVBOX-S
IAAF Certification Number:	E-05-0418

meets the dimensional requirements for use in all international athletics competitions.

It is for the purchaser to determine the item's fitness for the purpose based on his knowledge of the local conditions and use.

Valid from:	1 January 2014
Until the last day of:	January 2018

This certificate is issued in accordance with the terms and conditions of the IAAF Certification System of track and field facilities, implements and competition equipment.


ESSAR GABRIEL
IAAF General Secretary


JORGE SALCEDO
IAAF Technical Committee Chairman

