

POLANIK
Poland, Życzliwa 11
97-300 Piotrków Trybunalski

tel. +48 44 646 44 81
tel. +48 44 648 50 89
fax +48 44 646 43 58

e-mail: info@polanik.com
www.polanik.com



TECHNICAL SPECIFICATION

Hurdle cart for competition hurdles HC-23



File: 2017-08-25

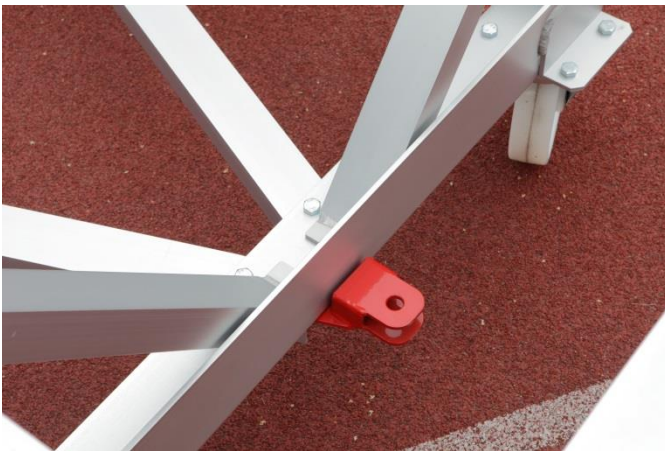
PRODUCT SUPPORT

Paweł Ciechanowski

p.ciechanowski@polanik.com

I. General description and use

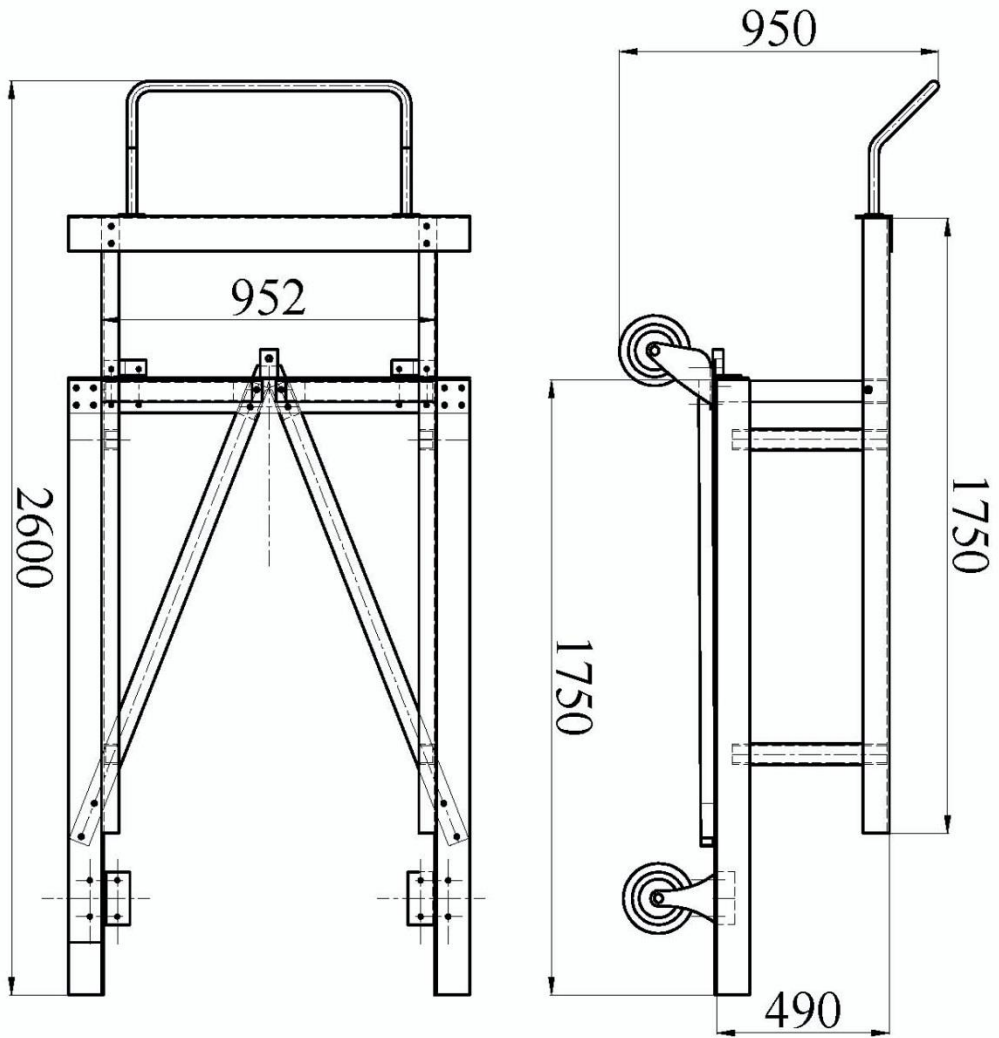
HC-23 has got a durable aluminium construction, anodized in silver colour. It is equipped with an ergonomic handle and a catch for electric truck shaft.



HC-23 © 2017 Polanik

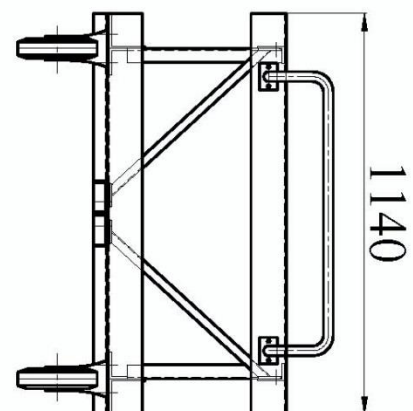
The producer reserves the right to introduce without warning changes in product constructions and colours.

II. Technical specification



[mm]

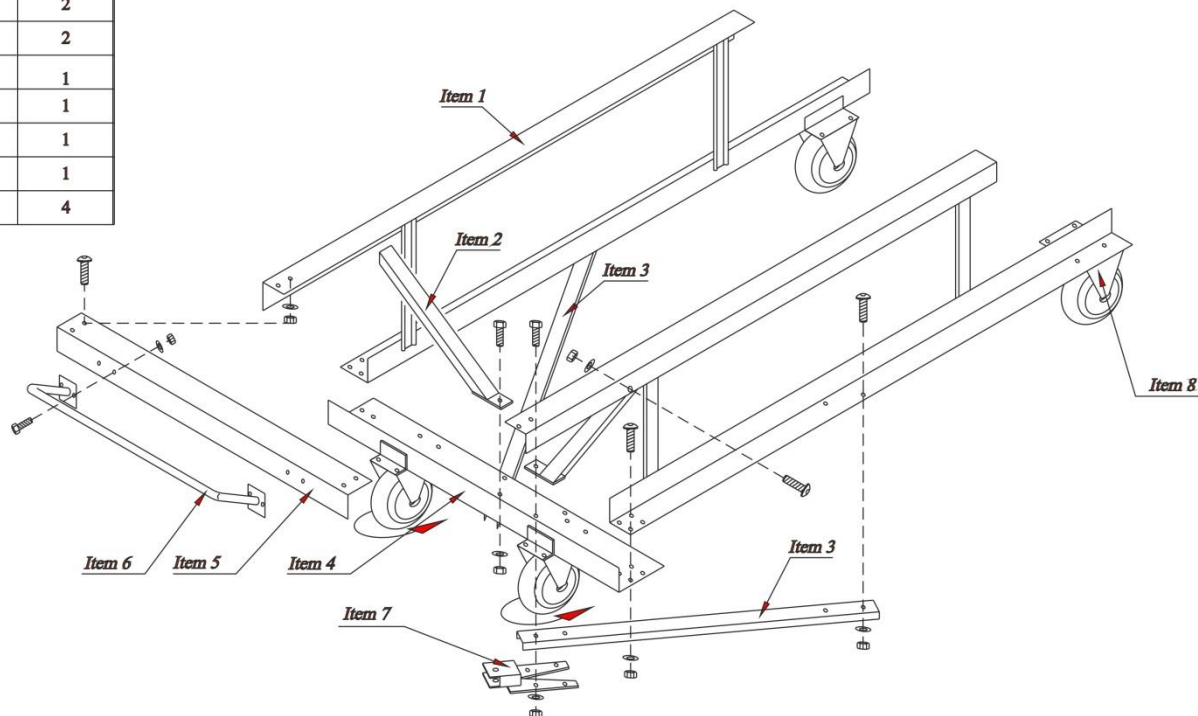
Code	HC-23
Type	aluminium, anodized
Use on	synthetic track, concrete and asphalt
Capacity	20 pcs of PP-170 or 28 pcs of PP-171/PP-173 or 18 pcs of PP13-170A
Handle	included
Catch for truck shaft	included
Net weight [kg]	60



III. Assembly

The cart is delivered in parts. Please assemble the cart according to the drawing below:

Assembly drawing HC-23		M10x30	M10x25	M8x20	M10x25	M10	M8	O10.5	O8.5
Item	Q-ty	4	12	4	22	38	4	38	4
1	1+1	Item 7		Item 6	-	-	Item 6	-	-
2	2								
3	2								
4	1								
5	1								
6	1								
7	1								
8	4								



IV. Operation and maintenance

The cart must be stored in a roofed and dry place. The wheel excels should be greased once a year.

V. Packing and transport

The cart is packed in a case:

Box's dimensions [m]	contents	1 pc
	length L	2,32
	width B	0,42
	height H	0,55
Volume [m ³]		0,54
Gross weight [kg]		80



VI. Declaration

1) No. 2017-08-25

2) Issuer's name: POLANIK

Issuer's address: Życzliwa 11, 97-300 Piotrków Tryb.

3) Objects of declaration

No.	Name	Code
1	Hurdle cart for competition hurdles	HC-23

4) Technical specification described above is in accordance with the factory's internal engineering standards.

Additional Information

5) Declaration for:

Buyer/Distributor/User

Signed for and in behalf for:

POLANIK Spółka z Ograniczoną Odpowiedzialnością

2017-08-25 Piotrków Tryb.

(Date and place of issue)

Paweł Ciechanowski
Product Manager

6)

(Name, function)

.....
(Signature or equivalent authorized by the issuer)