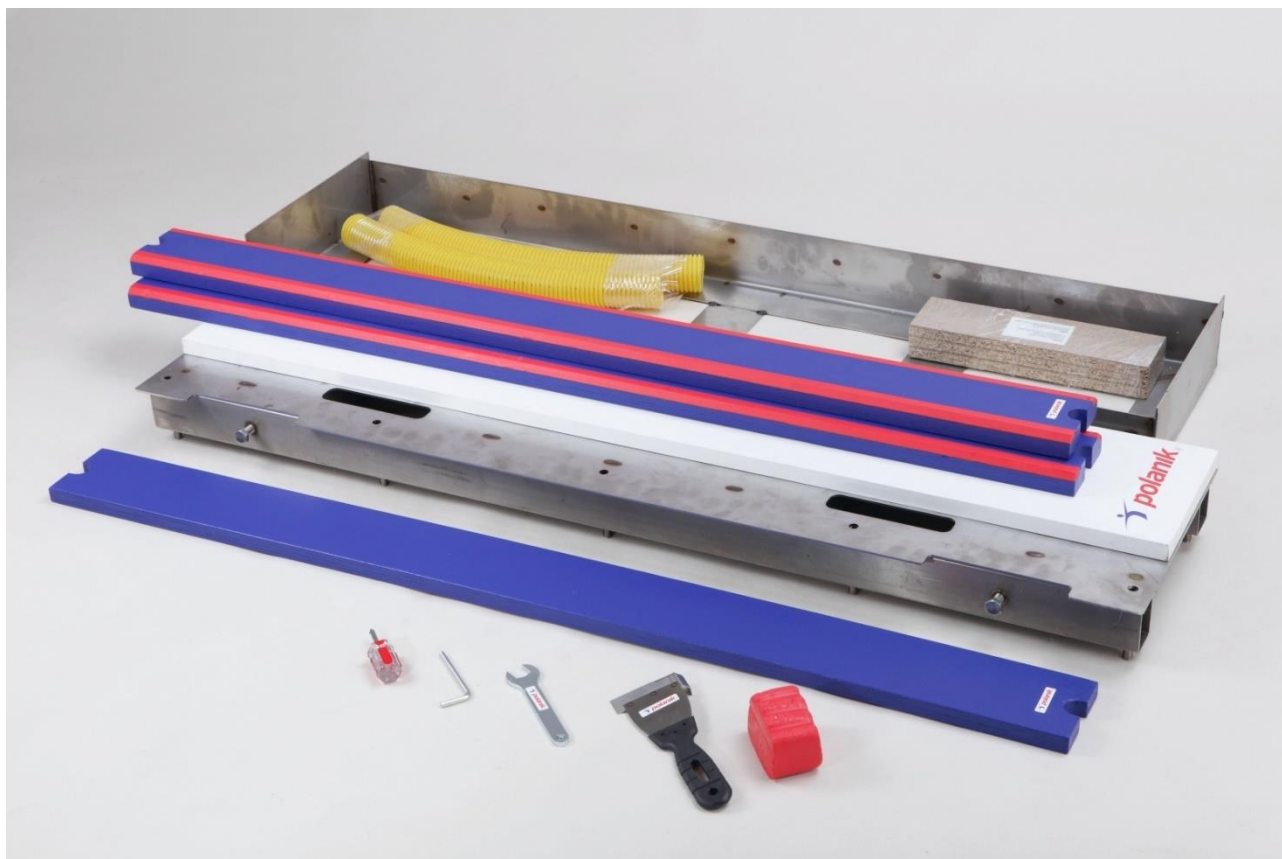


## TECHNICAL SPECIFICATION

**Premium Line** competition take-off board for long jump and triple jump  
with stainless steel foundation tray and stainless steel adjustable base board

**S12-250** (ver. 2018)



**NEW TECHNOLOGY – SAFE JUMPS AND EASIER OPERATION**

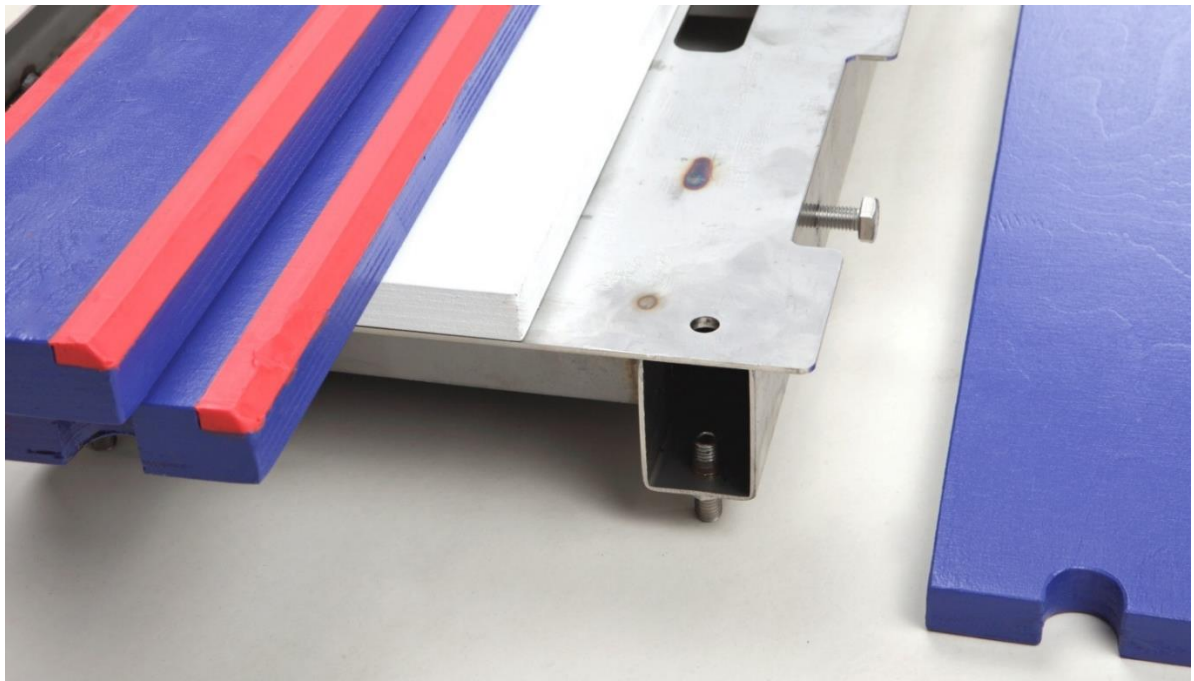
## Contents

1. General characteristics .....	2
2. Parts list (part sets) .....	3
3. Technical data .....	5
4. Technical drawing – scheme of construction and dimensions .....	6
5. Additional equipment, available separately .....	7
6. WA Certificate .....	8

### 1. General characteristics





The premium take-off board S12-250 is designed for conducting sports events and training programs of horizontal jumps. Main features of the take-off board:

- **high safety** – construction according to the latest recommendations – no metal elements in take-off zone, foundation tray with lowered edges designed to be covered by synthetic surface and white take-off board fastened from the bottom side, no screws on top,
- **user-friendly** – thanks to comfortable and easy adjustment of the base board done from its top side, the white take-off board can be quickly leveled with the runway surface with the included hex key, even if the foundation tray is not installed horizontally,
- **extremely durable** – all the metal elements are made of stainless steel, they do not require additional maintenance actions
- innovative construction – constituted by elements which are easy to assemble, transport and store
- easy operating – fast assembly and disassembly processes, which take 15 minutes approx., can be done by one person (provided that the foundation tray is already embedded in the track), fast replacement of wearing parts
- high quality – best material: stainless steel and waterproof plywood, manufacturing precision confirmed by the certificate of the World Athletics (WA)



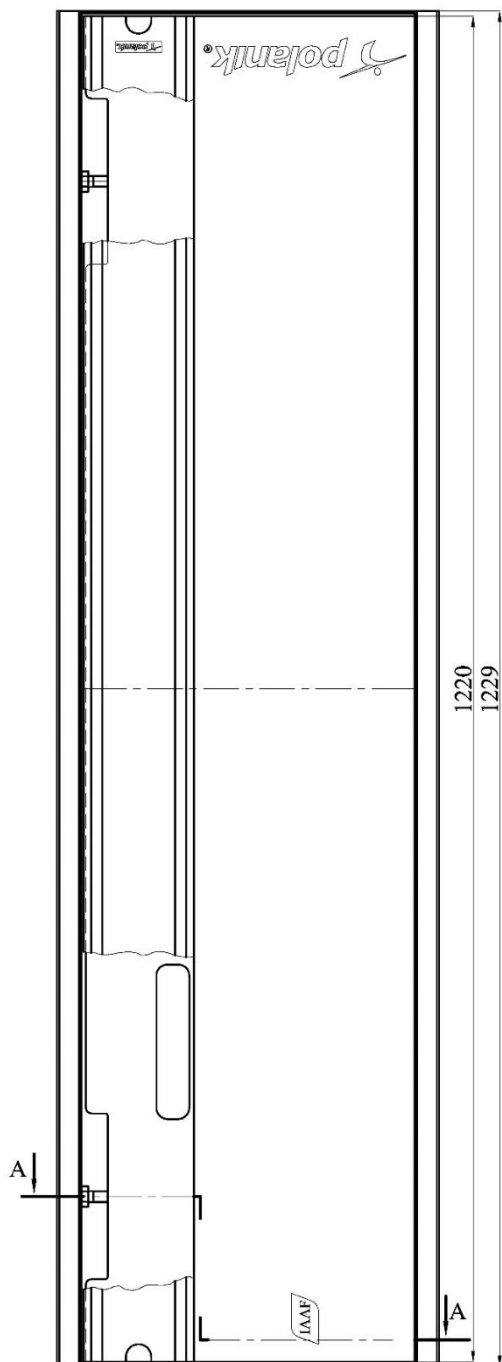
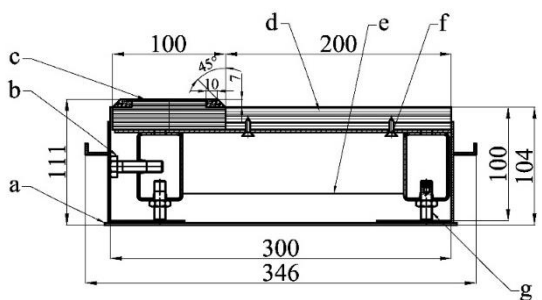
## 2. Parts list (part sets)

Item	Part/set description	Q-ty pcs	Part/set sketch
1	Stainless steel foundation tray with accessories for concreting (draining tubes and spacing boards) K3-250	1	
2	Stainless steel base board S-0250-000-09-00-00	1	
3	White take-off board 20 mm with screws K2-250	1	
4	Indicator plasticine board S-250-02-00	2	
5	Training indicator board without plasticine S-250-02-03	1	
6	Spare plasticine 300 g S-250-02-01	1	

Item	Part/set description	Q-ty pcs	Part/set sketch
7	Plasticine forming knife S-250-06-00	1	
8	Wrench - to block the supporting board in the tray S-0250-000-08-00-01	1	
9	Hex key to adjust the feet M40 KL 5 W	1	
10	Screwdriver to fasten white take-off board to base board	1	



### 3. Technical data

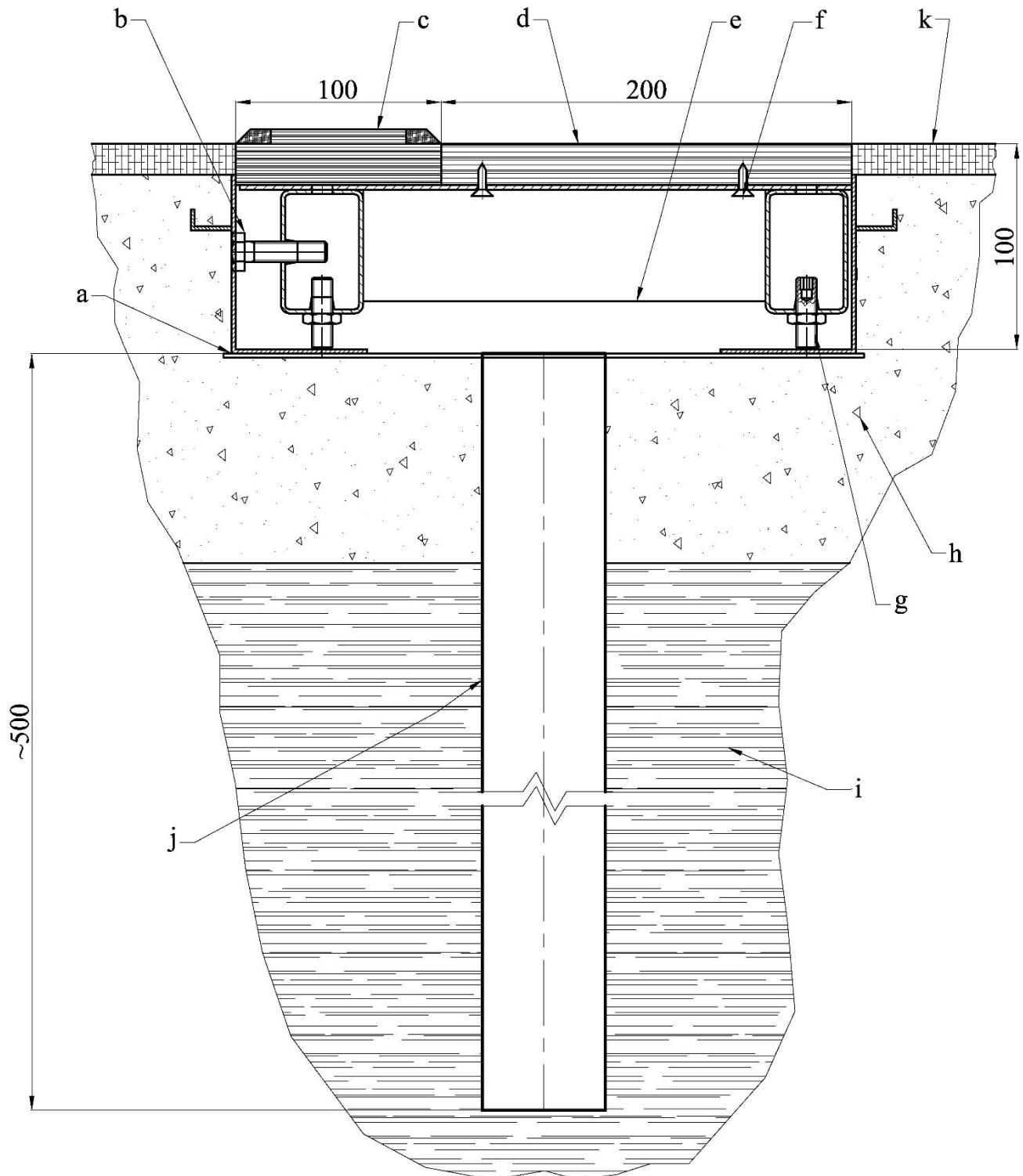


Product code	S12-250
Description	set of take-off board for long and triple jump
Type	competition, IAAF certified, Premium Line
Use	ready set to be installed in long and triple jump runway
Foundation tray	stainless steel, lowered edges to be covered by synthetic surface for safety, equipped with drainage tubes and spacing boards
Base board	stainless steel, equipped with adjustable feet and blocking stainless steel screws
White take-off board	beech glulam, painted, reversible, fastened to base board from bottom side for safety
Plasticine indicator board	waterproof plywood, painted, with two plasticine stripes
Training indicator board	waterproof plywood, painted
Spare plasticine	included
Forming knife	included
Wrench for blocking board inside tray	included
Screwdriver to fasten white take-off board	included
Hex key to adjust feet	included
Way of packing	carton box
Box contents	1 set of S12-250
L box length [mm]	1225
B box width [mm]	380
H box height [mm]	172
Gross weight [kg]	31

- a – stainless steel foundation tray (item 1)
- b – blocking bolt
- c – plasticine indicator board (item 4)
- d – white take-off board (item 3)
- e – adjustable stainless steel base board (item 2)
- f – screw fastening white take-off board
- g – adjustable foot of stainless steel base board

[mm]

#### 4. Technical drawing – scheme of construction and dimensions







- a – stainless steel foundation tray (item 1)
- b – blocking bolt
- c – plasticine indicator board (item 4)
- d – white take-off board (item 3)
- e – adjustable stainless steel base board (item 2)
- f – screw fastening white take-off board

- g – adjustable foot of stainless steel base board
- h – concrete foundation
- i – ground
- j – draining tube
- k – athletics synthetic surface

[mm]

### 5. Additional equipment, available separately

Item	Part/set description	Part/set sketch
1	<p>Stainless steel cover for competition take-off board PBN-S0250</p> <p>Stainless steel cover for take-off competition boards, secures the inside of the board tray, smooth surface and 6 adjustable feet (in the range of 20 mm) for installing synthetic track, strong ribbed construction. Designed for sticking tartan.</p>	
2	<p>Stainless steel cover with edges for competition take-off board PBN14-S0250</p> <p>Stainless steel cover for take-off competition boards, secures the inside of the board tray, special edges for installing synthetic surface, 6 adjustable feet (in the range of 20 mm), strong ribbed construction, equipped with edges to facilitate application of tartan.</p>	
3	<p>Plasticine straps for indicator board P8x31</p> <p>Set of 8 red plasticine straps, specially shaped, ready to be put into the indicator board recess, designed for Polanik competition take-off boards</p>	
4	<p>Rubber indicator board for competition board LG15-250</p> <p>black full rubber indicator board designed for training</p>	

## 6.WA Certificate



# PRODUCT CERTIFICATE

World Athletics is pleased to certify that the following product meets all the technical requirements of the World Athletics Rules for the relevant competitions.

Product's Trade Name:

**Fixed equipment, Take-off board, Competition**

Description, Colour/Absolute Thickness:

**Wood/plywood/stainless steel, White/dark blue**

Company Name, Country:

**Polanik Sp. z o. o. - Sp. K. POL**

Catalogue Number:

**S12-250**

Certification Number:

**E-12-0696**

Test Report by and on:

-

Note:

-

Date of Issue:

**1 July 2020**

Date of Expiry:

**July 2024**

Issued in accordance with the terms and conditions of the World Athletics Certification System



**Jon Ridgeon**  
World Athletics CEO

