

TECHNICAL SPECIFICATION / INSTRUCTION MANUAL

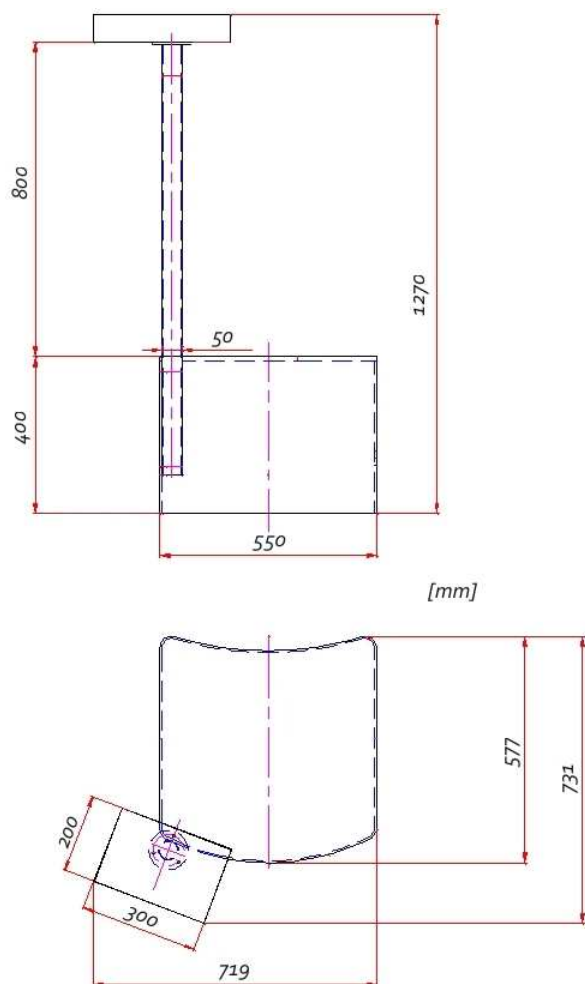
Starter's stand PS11-338

I. Use

The product is designed to provide official enough height to view all lanes in track events. The thick-walled base made of fibreglass provides high durability and long product life. The product is equipped with a special shelf for starting revolver and cartridges.

II. Technical specification

Code	PS11-338
Stand type	for starter
Number of elements	1
Material	thick-walled fibreglass base, rubber anti-slip surface, steel pole with shelf, powder painted
Handles	2
Net weight [kg]	~15



POLANIK
Poland, Życzliwa 11
97-300 Piotrków Trybunalski

tel. +48 44 646 44 81
tel. +48 44 648 50 89
fax +48 44 646 43 58

e-mail: info@polanik.com
www.polanik.com



III. Maintenance

After each use the product should be cleaned, if necessary you can use commonly available delicate detergents. Remember to dry the product before storing in a roofed place.

IV. Packing and transport

The product is packed in foil.

PRODUCT SUPPORT

Pawel Ciechanowski

p.ciechanowski@polanik.com

Even the best technical solutions cannot substitute for common sense. The usage of the product must take place under the supervision of sports facility technical staff. The producer shall not be liable for any incidents caused by the improper assembly or its misuse. The producer reserves the right to introduce without warning changes in product constructions and colours.

File: 2014-07-16

© 2014 Polanik