

POLANIK  
Poland, Życzliwa 11  
97-300 Piotrków Trybunalski

tel. +48 44 646 44 81  
tel. +48 44 648 50 89  
fax +48 44 646 43 58

e-mail: [info@polanik.com](mailto:info@polanik.com)  
[www.polanik.com](http://www.polanik.com)



## Instruction manual

### Competition toe board

S-269



File: 2016-06-29

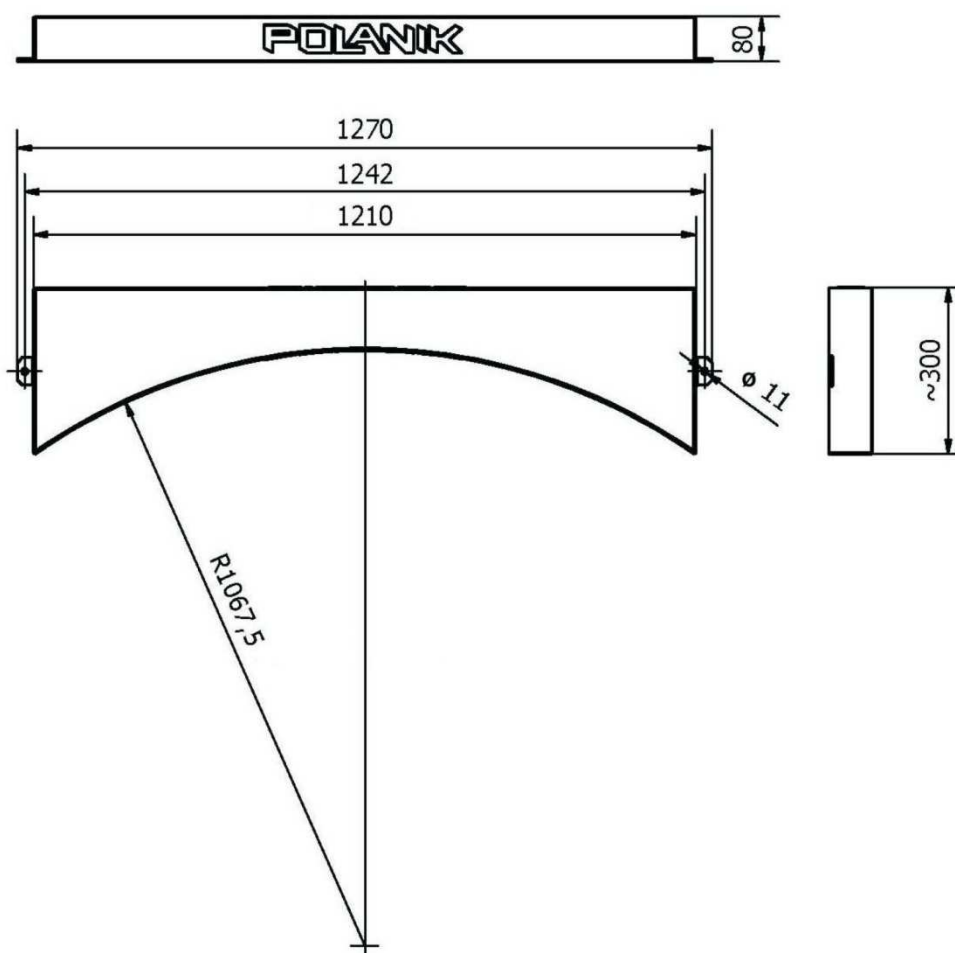
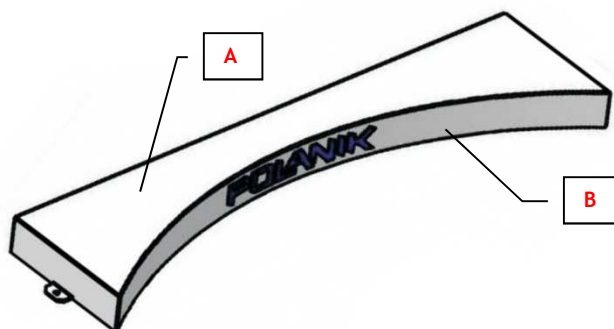
PRODUCT SUPPORT  
Pawel Ciechanowski  
[p.ciechanowski@polanik.com](mailto:p.ciechanowski@polanik.com)

### I. General description and use

S-269 is an original steel-wooden construction which is very resistant to impacts - the toe board can endure the impact of the 8 kg shot put dropped from the height of 1,8 m. It is designed for mounting at the shot put throwing circle.

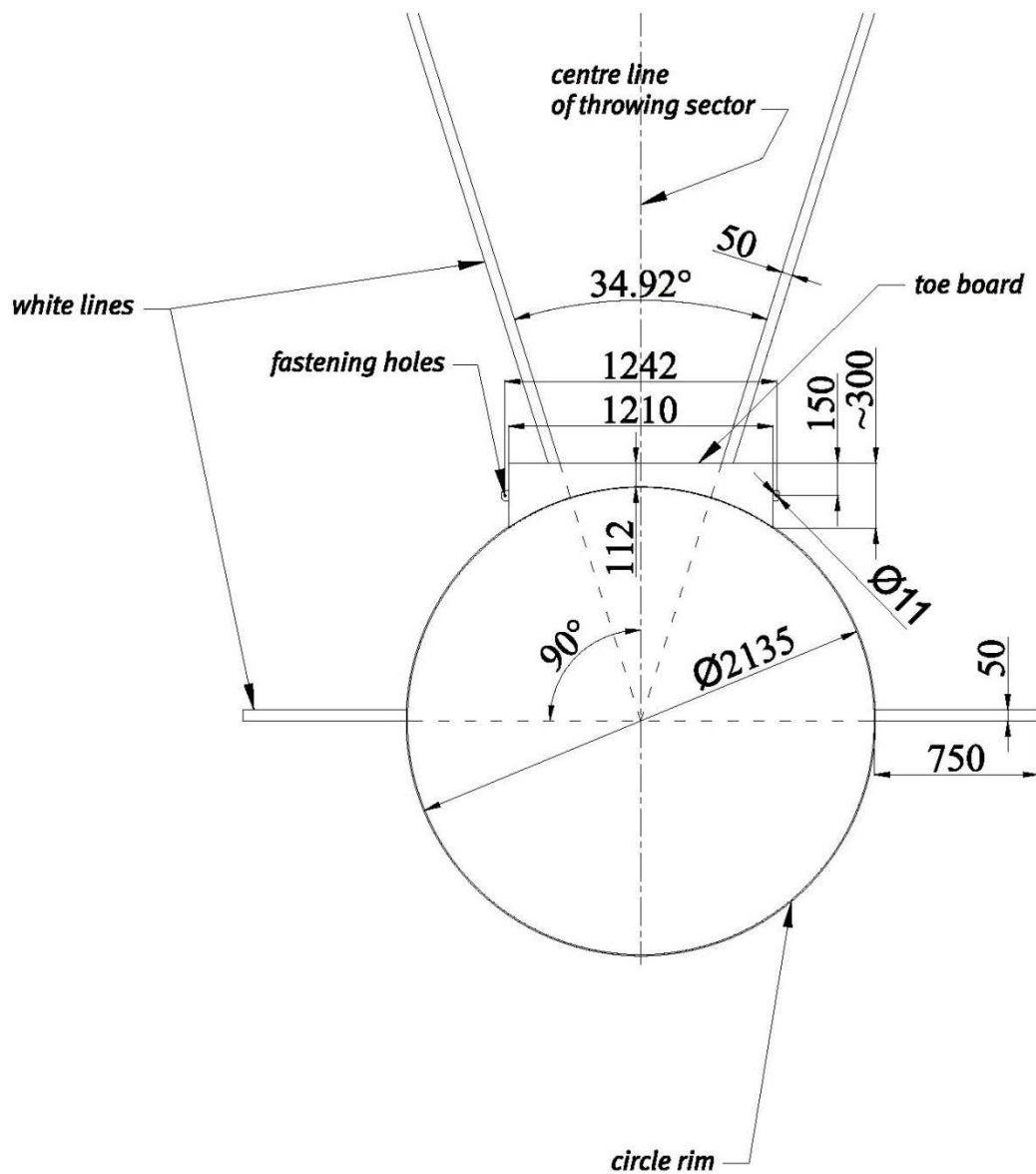
### II. Technical specification

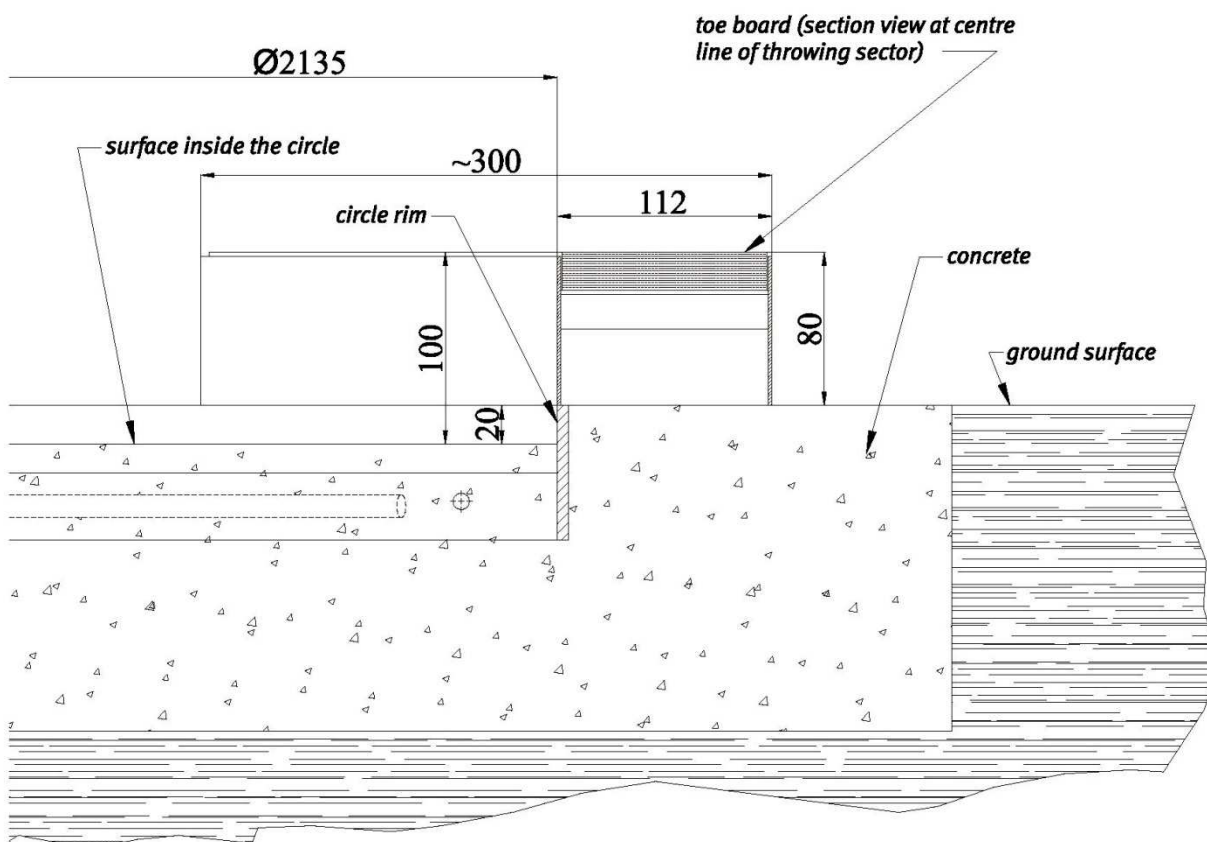
Code	S-269
Board type	competition, certified
(A) Top element	replaceable, made of 20 mm thick waterproof plywood coated with ecological water based paint, code S-269-00-01
(B) Steel frame	galvanized, powder painted, two fastening holes
Weight [kg]	11



### III. Installation in the field

[mm]





#### IV. Operation and maintenance

Even though the wooden elements are impregnated and protected with paint, a prolonged contact with water can devastate or deform them. That is why the toe board is to be obligatorily dismounted for autumn and winter seasons, and stored in a dry roofed place. Defects in the paint coating should be mended regularly. In case of damage or wear the top element is easily replaced.

#### V. Packing and transport

The toe board is packed in a carton box:

Dimensions [cm]	contents	1 toe board
	length	128
	width	31
	height	9
Volume [m <sup>3</sup> ]		0,036
Gross weight [kg]		11,50

## VI. IAAF Certificate

International Association of Athletics Federations



### Product Certificate

*The IAAF is pleased to certify hereby that the following product:*

<b>Product's Trade Name:</b>	Fixed equipment, Stop board, Shot Put
<b>Description, Colour / Absolute Thickness:</b>	Steel-wooden, White
<b>Company Name, Country:</b>	Polanik Sp. z o. o. - Sp. K., POL
<b>Catalogue Number:</b>	S-269
<b>IAAF Certification Number:</b>	E-06-0451

meets the dimensional requirements for use in all international athletics competitions.

It is for the purchaser to determine the item's fitness for the purpose based on his knowledge of the local conditions and use.

<b>Valid from:</b>	1 September 2014
<b>Until the last day of:</b>	September 2018

This certificate is issued in accordance with the terms and conditions of the IAAF Certification System of track and field facilities, implements and competition equipment.

  
**ESSAR GABRIEL**  
IAAF General Secretary

  
**JORGE SALCEDO**  
IAAF Technical Committee Chairman



## VII. Product images



**S-269 © 2016 Polanik**

The producer reserves the right to introduce without warning changes in product constructions and colours.