

POLANIK
Poland, Życzliwa 11
97-300 Piotrków Trybunalski

tel. +48 44 646 44 81
tel. +48 44 648 50 89
fax +48 44 646 43 58

e-mail: info@polanik.com
www.polanik.com



TECHNICAL SPECIFICATION **INSTRUCTION MANUAL**

Hurdle cart for competition hurdles

HC-34



File: 2017-08-25

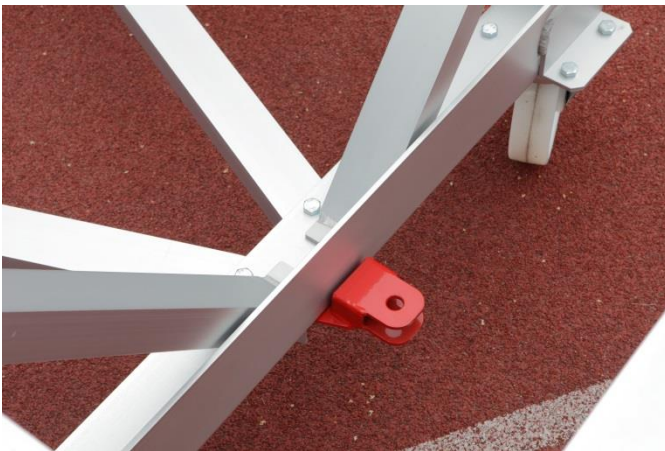
PRODUCT SUPPORT

Paweł Ciechanowski

p.ciechanowski@polanik.com

I. General description and use

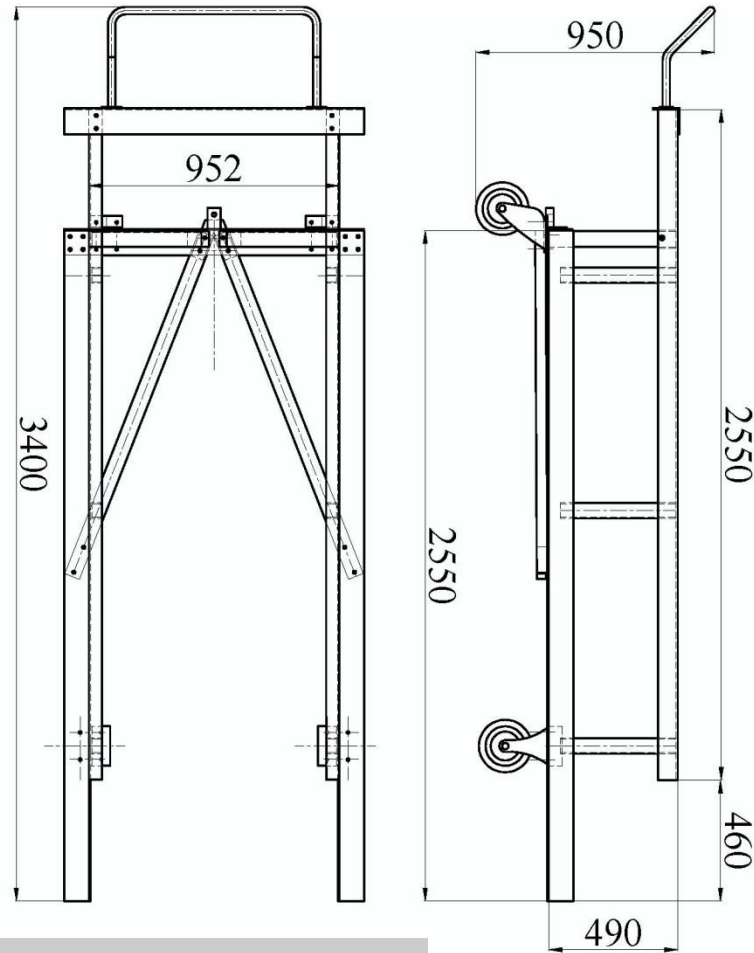
HC-34 has got a durable aluminium construction, anodized in silver colour. It is equipped with an ergonomic handle and a catch for electric truck shaft.



HC-34 © 2017 Polanik

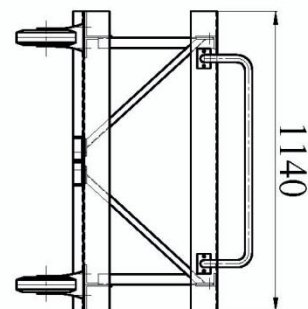
The producer reserves the right to introduce without warning changes in product constructions and colours.

II. Technical specification



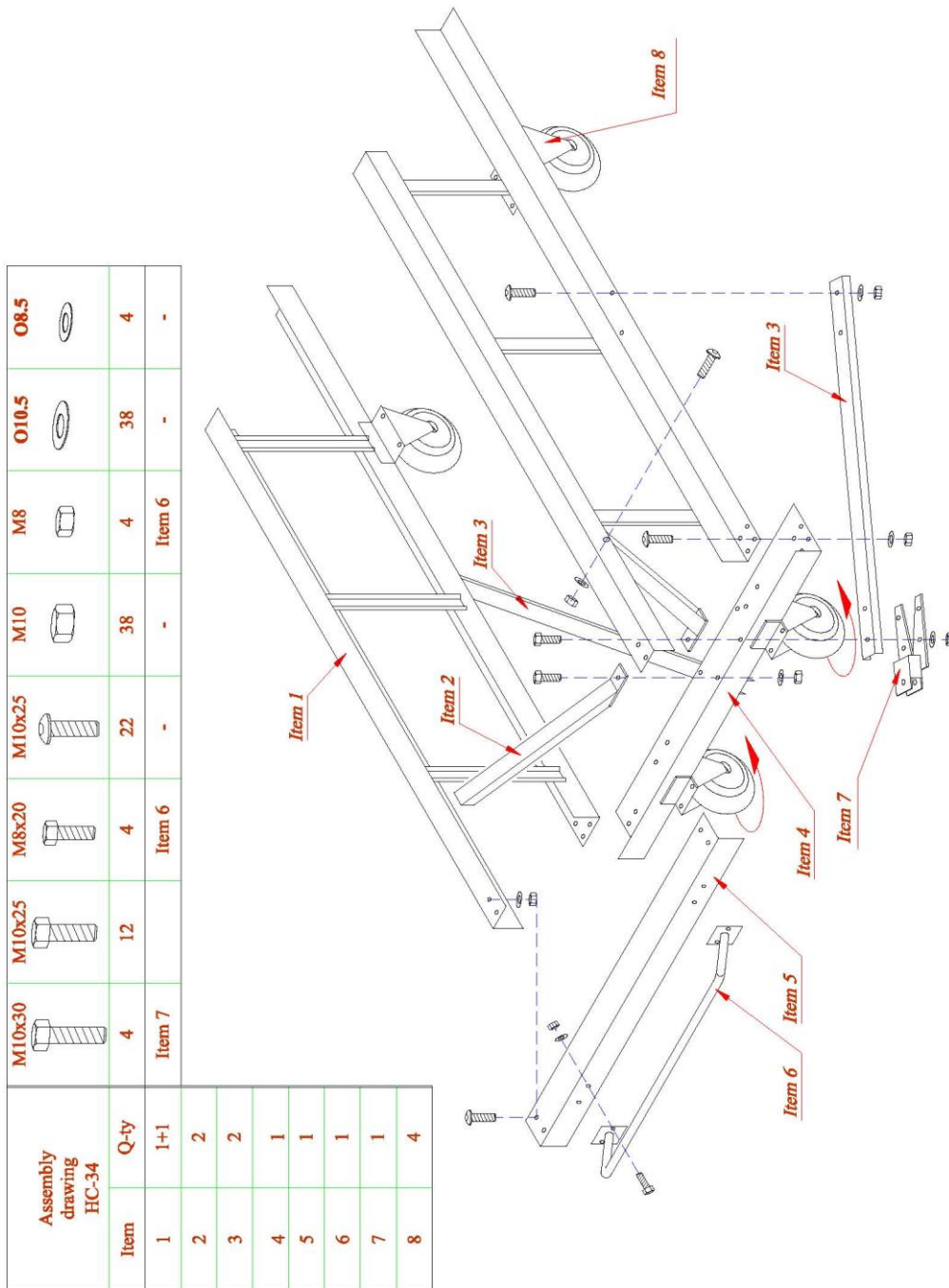
[mm]

Code	HC-34
Type	aluminium, anodized
Use on	synthetic track, concrete and asphalt
Capacity	30 pcs of PP-170 or 40 pcs of PP-171/PP-173 or 26 pcs of PP13-170A
Handle	included
Catch for truck shaft	included
Net weight [kg]	80



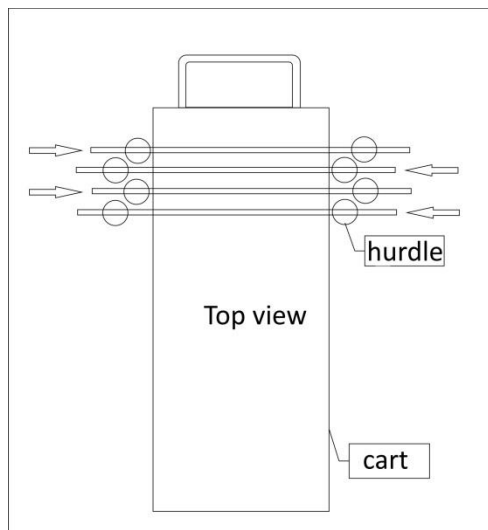
III. Assembly

The cart is delivered in parts. Please assemble the cart according to the drawing below:



IV. Operation and maintenance

When Polanik collapsible hurdles with round feet (PP-171 and PP-173 series) are loaded on the cart, they should be alternately shifted to the cart sides, see the images below:



The hurdles with square feet (PP-170 series) are put one behind another, see the image below:



The cart must be stored in a roofed and dry place. The wheel excels should be greased once a year.

V. Packing and transport

The cart is packed in a case:

Box's dimensions [m]	contents	1 pc
	length L	3,12
	width B	0,42
	height H	0,55
Volume [m³]		0,72
Gross weight [kg]		100



VI. Declaration

- 1) No. 2017-08-25
2) Issuer's name: POLANIK
Issuer's address: Życzliwa 11, 97-300 Piotrków Tryb.
3) Objects of declaration

No.	Name	Code
1	Hurdle cart for competition hurdles	HC-34

- 4) Technical specification described above is in accordance with the factory's internal engineering standards.

Additional Information

- 5) Declaration for:

Buyer/Distributor/User

Signed for and in behalf for:
POLANIK

2017-08-25 Piotrków Tryb.
(Date and place of issue)

Paweł Ciechanowski
Product Manager

- 6)
(Name, function)

.....
(Signature or equivalent authorized by the issuer)