

POLANIK
Poland, Życzliwa 11
97-300 Piotrków Trybunalski

tel. +48 44 646 44 81
tel. +48 44 648 50 89
fax +48 44 646 43 58

e-mail: info@polanik.com
www.polanik.com



TECHNICAL SPECIFICATION **ASSEMBLY MANUAL**

Aluminium training hurdles

PP-176

PP-177



File: 2012-06-05

PRODUCT SUPPORT
Paweł Ciechanowski
p.ciechanowski@polanik.com

Contents

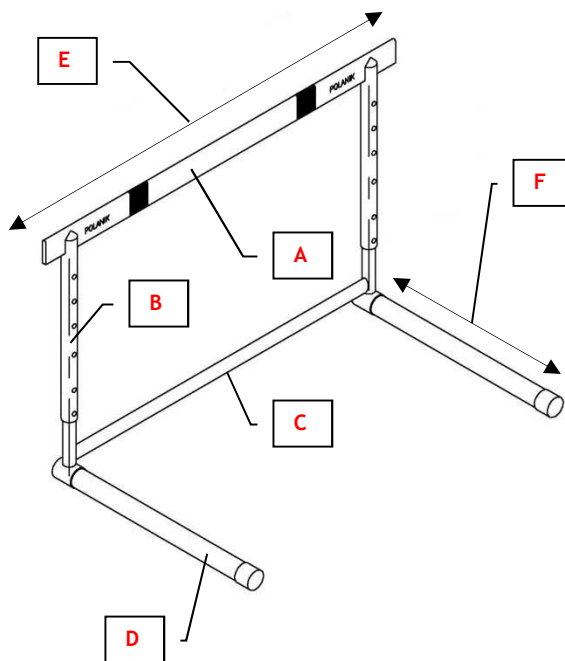
Chapter	Page
I. General description and use	2
II. Technical specification	2
III. Parts list	3
IV. Assembly	3
V. Operation and maintenance	4
VI. Packing and transport	4
VII. Product images	5
VIII. Declaration	6

I. General description and use

Aluminium training hurdles(PP-176 i PP-177) are pieces of athletics equipment and are designed for training hurdle races for juniors and seniors in sports schools and clubs. The collapsible construction lowers the transport costs.

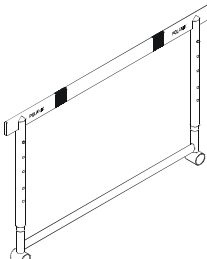



II. Technical specification

Code	PP-176	PP-177
Hurdle type	training, collapsible	
(A) Top board	plastic, with inside ribbing	
(B) Telescope tube	aluminium, powder painted, system of push button height adjustment	
(C) Frame	aluminium, anodized	
(D) Foot	with permanently fixed counterweights	
Heights[mm]	-	600
	686	686
	762	762
	838	838
	914	914
	991	-
	1067	-
(E) Top board's length [mm]	1150	1150
(F) Feet's length [mm]	610	610
Net weight [kg]	3,6	3,4



III. Parts list (part sets)

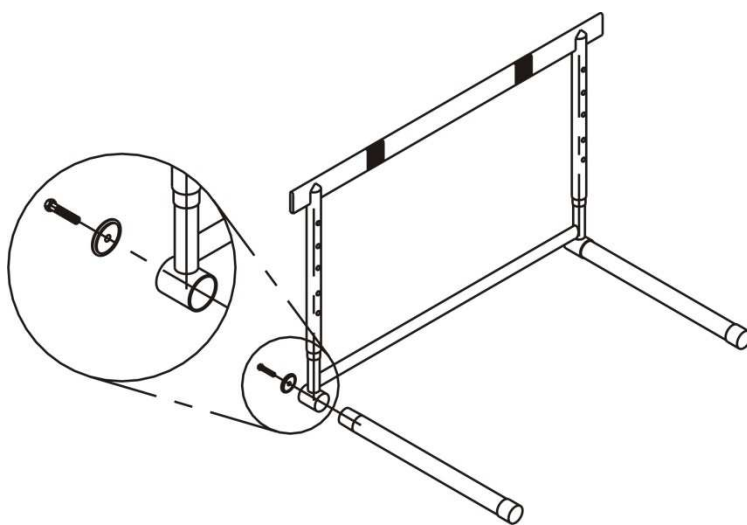
The hurdle is delivered in parts and one complete hurdle contains:

No.	Part\set description	Q-ty pcs	Sketch
1	Hurdle frame	1	
2	Hurdle foot	2	
3	Washer	2	
4	Foot screw	2	

IV. Assembly

Foot screws (item 4) are temporarily screwed into hurdle feet for transport (or they can be found in a separate box when big quantities of the hurdles are delivered). A metric wrench no. 13 is needed to perform the assembly. Although one person can prepare the hurdle for use, a convenient and fast assembly process requires two persons.

To assemble the hurdle do the following:



- slide carefully one hurdle foot (item 2) into one socket of the frame (item 1),
- make sure the foot (item 2) is properly placed in the socket, if it is not straight, please correct its position,
- screw the foot (item 2) to the hurdle frame (item 1) by means of the foot screw (item 4) and the washer (item 3),
- install the other foot in the same way.

The main goal of the hurdle collapsible construction is to assure easy and cheap transport. Please note that once you screw the feet down, the hurdle is practically non-dismountable. Therefore we do not recommend unscrewing the hurdle feet during idle periods. Removing the feet without proper tools can cause serious hurdle damages.

V. Operation and maintenance

During an idle periods the hurdles must be stored in a roofed and dry place. For optimal performance they should be stored and transported on Polanik hurdle cart: S-259. After every athletics season the hurdle must be cleaned from sand (mud, dust and etc).

VI. Packing and transport

Hurdles are put on pallets in parts (frames and feet separately) and wrapped with foil.



Package type		Foiled pallet
Dimensions [cm]	contents	30 pcs.
	Length	120
	Width	80
	height	90
Volume [m ³]		0,86
Gross weight [kg]		~190

Frames with telescope tubes and top boards

Box with hurdle feet

Box with foot screws

VII. Product images



PP-176 PP-177 © 2012 Polanik Sp. z o. o.

The producer reserves the right to introduce without warning changes in product constructions and colours.

VIII. Declaration

1) No. 2012-06-05

2) Issuer's name: POLANIK Sp. z o. o.

Issuer's address: Życzliwa 11, 97-300 Piotrków Tryb.

3) Object of declaration:

No.	Name	Code
1	Training aluminium hurdle, collapsible	PP-176
2	Training aluminium hurdle, collapsible	PP-177

4) The object of declaration described above is in conformity with the requirements of the following documents:

Articles	Document title	Issuer
Rule 168 points 2, 4	Competition Rules 2010-2011	International Association of Athletics Federations IAAF 17, rue Princesse Florestine BP 359 – MC 98007 Monaco Cedex Tel. +3377 93 10 88 88 Faks +377 93 15 95 15 www.iaaf.org

5) Declaration for:

Buyer/Distributor/User

Signed for and in behalf of:

POLANIK Sp. z o.o.

2012-06-05 Piotrków Tryb.
(Date and place of issue)

6) Pawel Ciechanowski
Product Manager

.....
(Name, function)



.....
(Signature or equivalent authorized by the issuer)