

## **TECHNICAL SPECIFICATION** **ASSEMBLY MANUAL**

### Rack for measuring set S-289



File: 2015-08-05

PRODUCT SUPPORT  
Paweł Ciechanowski  
[p.ciechanowski@polanik.com](mailto:p.ciechanowski@polanik.com)

## I. General description and use

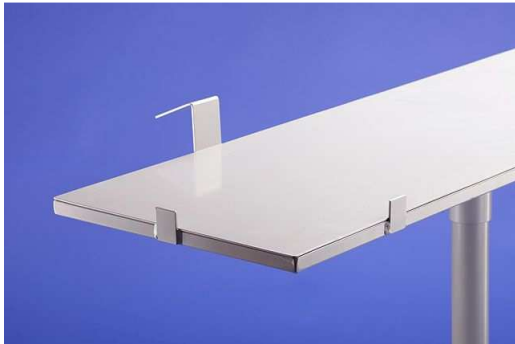
The rack is designed for the Polanik measuring sets (ZP-S287 and ZPM-S287).



The measuring set (available separately) is placed on the rack S-289.



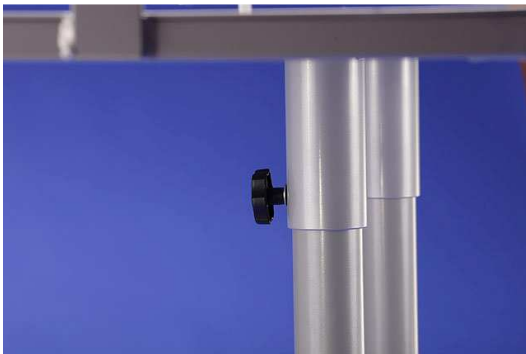
The rack makes implements testing easy and comfortable.



Stable platform guarantees safe operation



Base on wheels for easy positioning



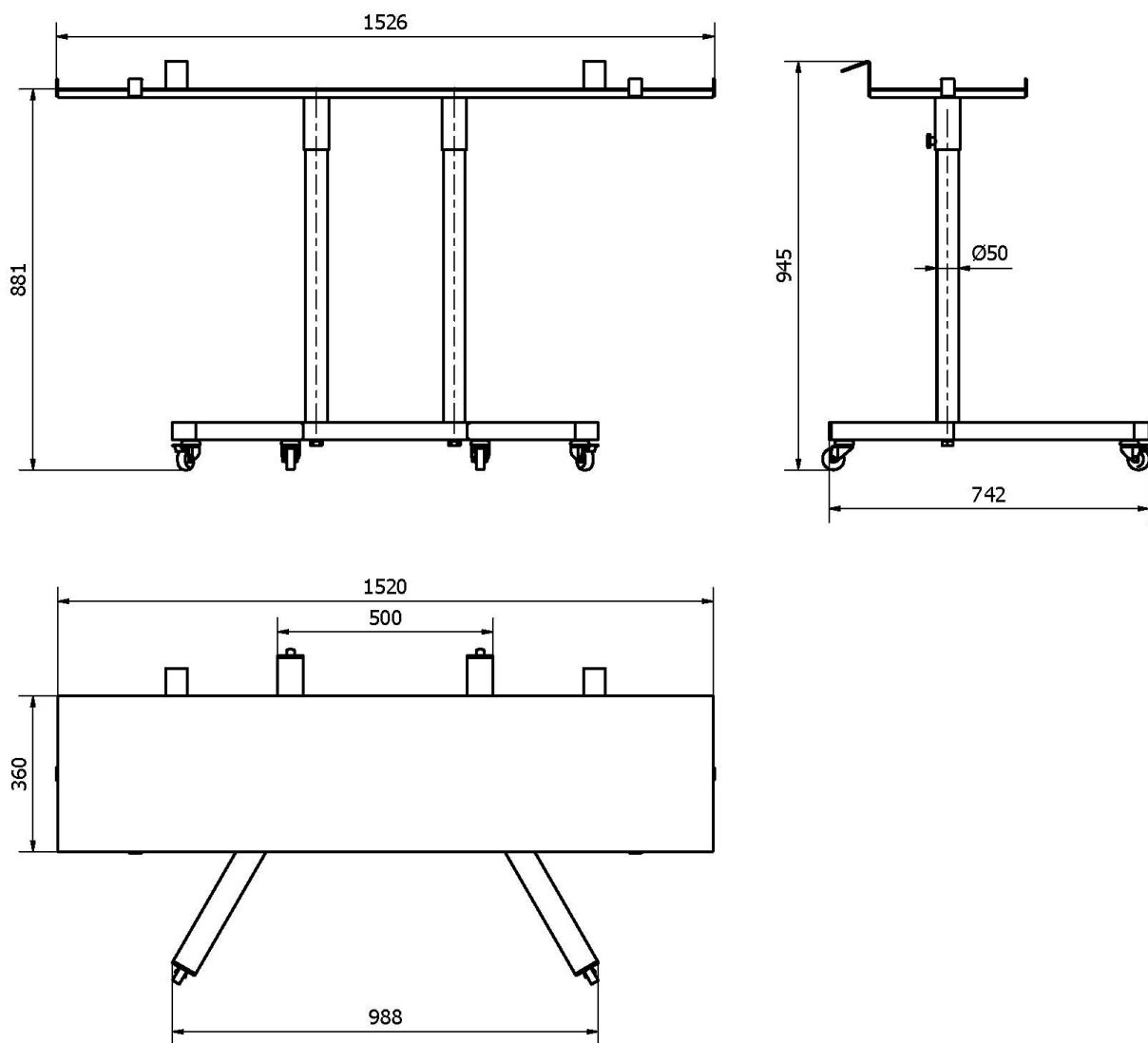
Handwheels for easy installation



Front castoring wheels with brake for comfort testing implements

## II. Technical specification

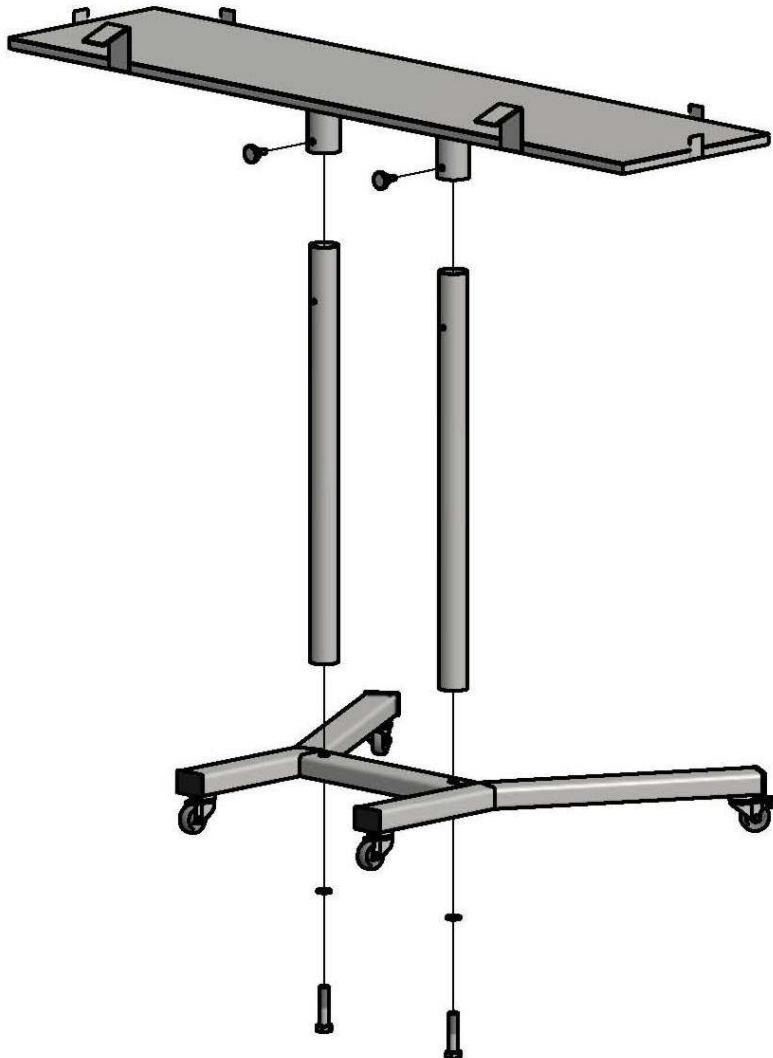
Product code	S-289
Type	on wheels
Construction	collapsible, steel powder painted
Height [m]	0,88
Width [m]	0,36
Length [m]	1,53
Net weight [kg]	31



[mm]

### III. Assembly

The elements of the rack should be screwed in the way shown below.



### IV. Operation and maintenance

Racks should be stored in a roofed and dry place.

### V. Packing and transport

Racks are delivered in parts, packed on a pallet.

## VI. Declaration

- 1) No. 2015-08-05
- 2) Issuer's name: POLANIK  
Issuer's address: Życzliwa 11, 97-300 Piotrkow Tryb.
- 3) Object of declaration:

No.	Description of goods	Code
1	Rack for measuring set	S-289

- 4) The object of declaration described above is in conformity with the requirements of the company production and technology norms.

### Additional Information

- 5) Declaration for:  
Buyer/Distributor/User

Signed for and in behalf of:

POLANIK  
2015-08-05 Piotrkow Tryb.  
(Date and place of issue)

- 6) Pawel Ciechanowski  
Product Manager

.....  
(Name, function)



.....  
(Signature or equivalent authorized by the issuer)